

* Refer to parts list on page 25.

In compliance with Federal Regulations, following are reproduction of labels on, or inside the product relating to laser product safety.

KENWOOD-Corp. certifies this equipment conforms to DHHS Regulations No.21 CFR 1040. 10, Chapter 1, subchapter J.
DANGER : Laser radiation when open and interlock defeated. AVOID DIRECT EXPOSURE TO BEAM.



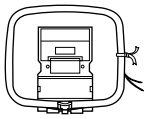
CONTENTS / ACCESSORIES / CAUTIONS

Contents

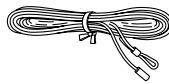
CONTENTS / ACCESSORIES	2	WIRING DIAGRAM	18
EXTERNAL VIEW	3	PC BOARD	19
DISASSEMBLY FOR REPAIR	4	SCHEMATIC DIAGRAM	24
BLOCK DIAGRAM	5	EXPLODED VIEW	33
CIRCUIT DESCRIPTION	6	PARTS LIST	35
ADJUSTMENT	16	SPECIFICATIONS	Back cover

Accessories

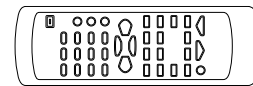
AM loop antenna (1)
(T90-0852-05): V
(T90-0893-05): EE1E2E3E4E5KK1
M2H1H2T2T3M1X1X2



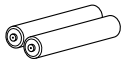
FM indoor antenna (1)
(T90-0855-05): V
(T90-0877-05): EE1E2E3E4E5KK1
M2H1H2T2T3M1X1X2



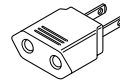
Remote control unit (1)
(A70-1568-05): EE1E2E3E4E5H2T2T3H1
(A70-1569-05): KK1M1M2VX1X2



Batteries (R6/AA) (2)



AC Plug Adaptor (1)
(E03-0115-05)




Use to adapt the plug on the power cord to the shape of the wall outlet.
(Accessory only for regions where use is necessary.)

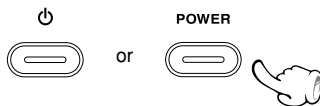
Cautions

Operation to reset

The microcomputer may fall into malfunction (impossibility to operate, erroneous display, etc.) when the power cord is unplugged while unit is ON or due to an external factor. In this case, execute the following procedure to reset the microcomputer and return it to normal condition.

- Please note that resetting the microcomputer clears the contents stored in and it returns to condition when it left the factory.

Unplug the power cord from the power outlet, then while holding the POWER or  key depressed, plug the power cord again.




After resetting the microcomputer, the display will show as follow:

RESET

Note related to transportation and movement

Before transporting or moving this unit, carry out the following operations.

- Remove the CD from the unit.
- Press the CD  key.

NO DISC

- Wait for some time and verify that the display appears as above.
- Wait a few seconds and turn the unit OFF.

The marking of products using lasers (For countries other than U.S.A., U.S.-Military and Canada)

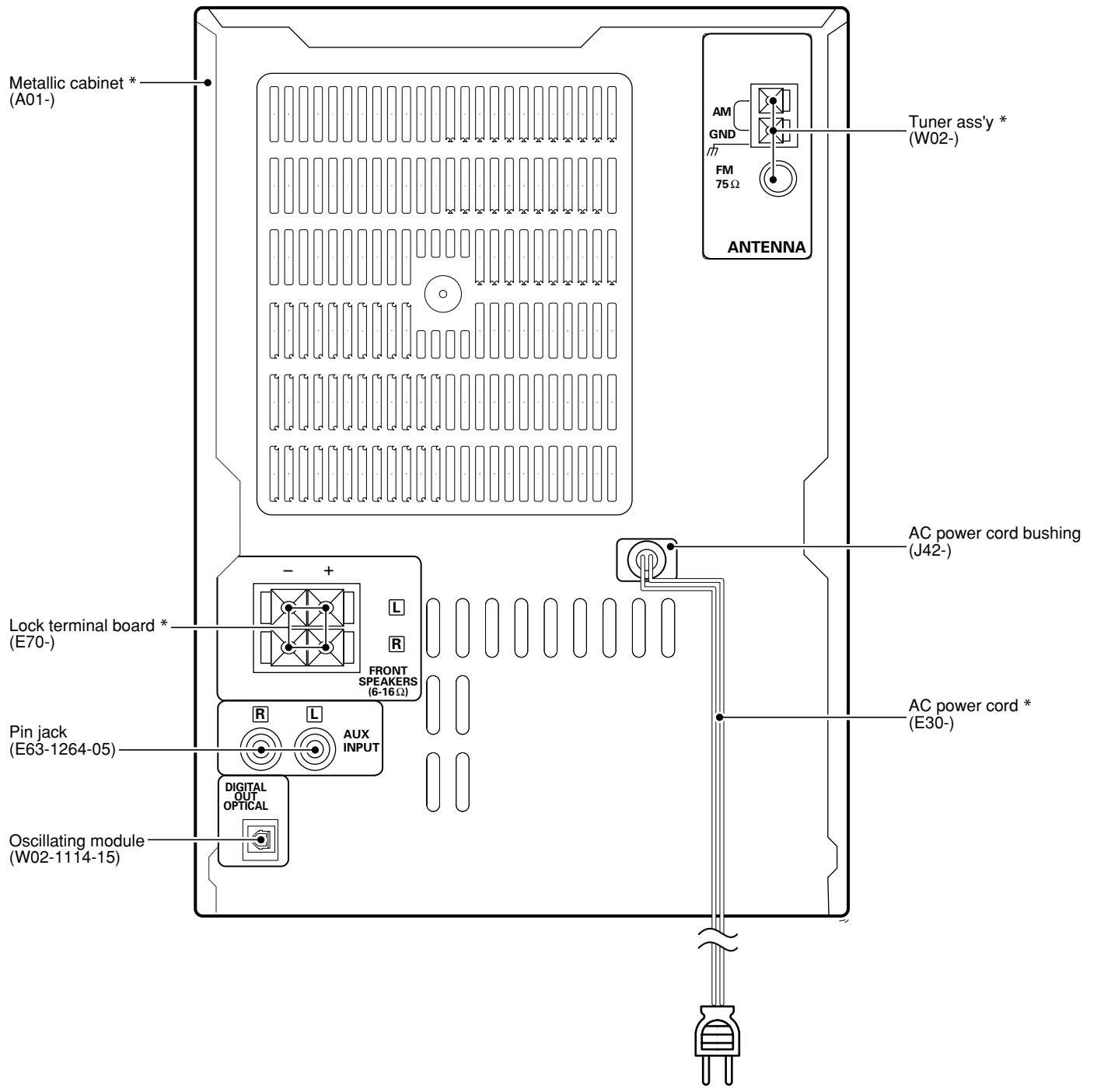
CLASS 1
LASER PRODUCT

The marking of this product has been classified as Class 1. It means that there is no danger of hazardous radiation outside the product.
Location: Back panel

CAUTION
VISIBLE LASER RADIATION
WHEN OPEN, DO NOT STARE
INTO BEAM OR VIEW DIRECTLY
WITH OPTICAL INSTRUMENTS.

Inside this laser product, a laser diode classified as Class 3A laser radiation is contained as alerted by the internal caution label shown above. Do not stare into beam or view directly with optical instruments.

EXTERNAL VIEW

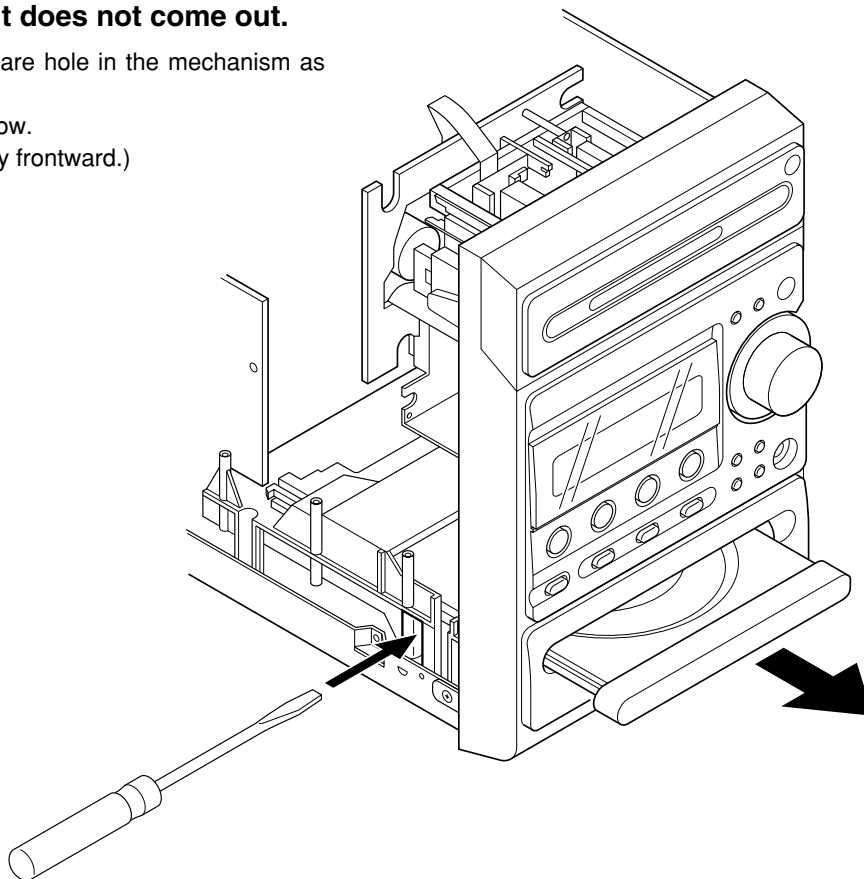


* Refer to parts list on page 25.

DISASSEMBLY FOR REPAIR

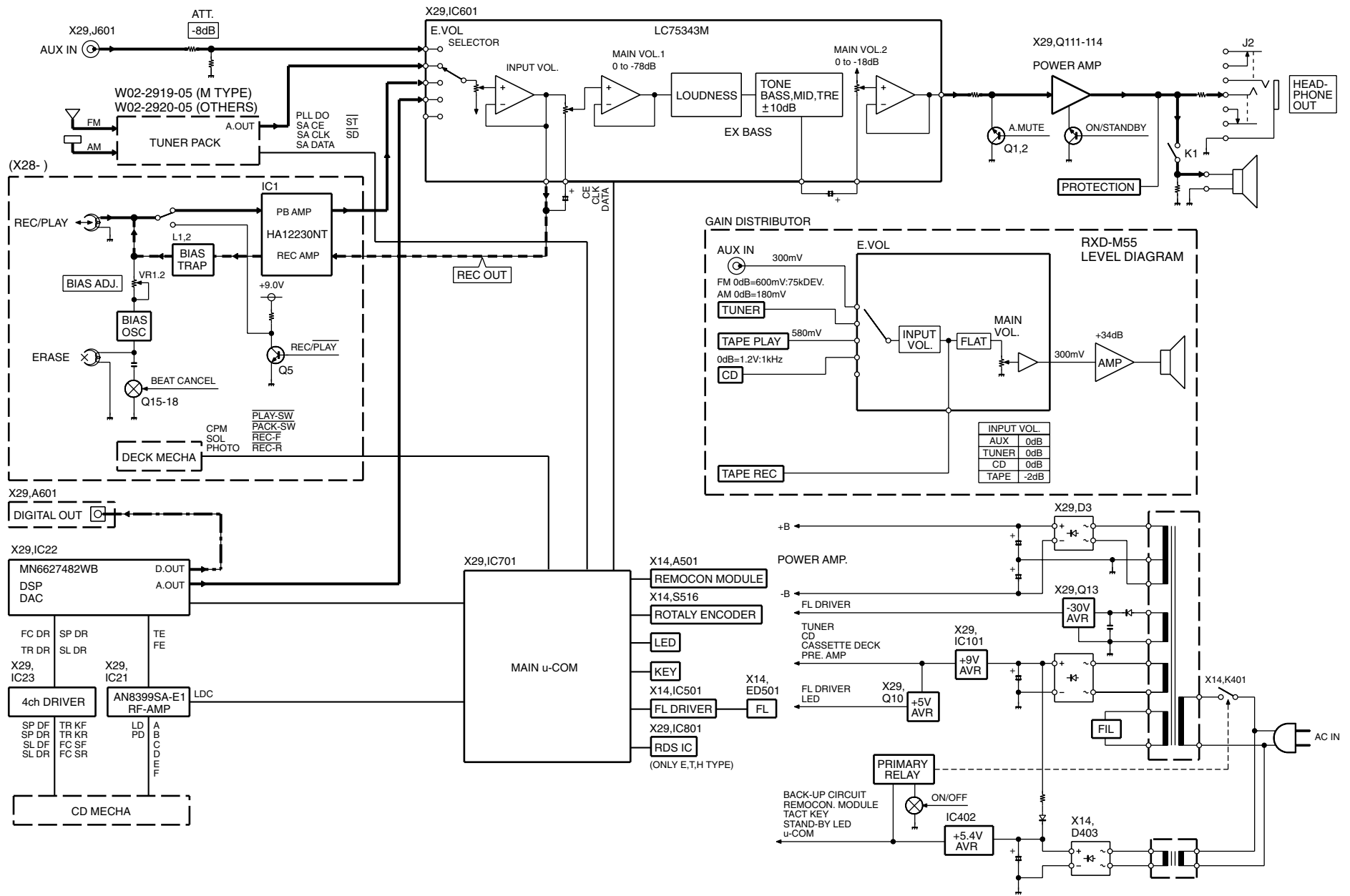
How to open the CD tray when it does not come out.

1. Insert a flat driver and so on to a square hole in the mechanism as shown in the figure.
2. Push a rack gear in the direction of arrow.
(At this time, the tray comes out slightly forward.)
3. The tray can be opened by hand.



RXD-M55-H/M55-N/M55-S/M55E-H/M55E-N/M55E-S

BLOCK DIAGRAM



RXD-M55

CIRCUIT DESCRIPTION

1. Initializing

1-1 Initializing Method

- While holding down the [POWER] key, plugged in the power cord to AC power wall outlet.

1-2 Initializing Operation

- During the initial operation, the display shows "RESET" and after that it will be returned to standby condition.
- If any mechanisms error occurred, the error indication is displayed as "ERR" in the display.

1-3 Mechanism Initializations

①CD Mechanism

- If a mechanism error occurred, the error indication is displayed as "C ERR" in the display.

②Deck Mechanism

- If a mechanism error occurred, the error indication is displayed as "X ERR" in the display.

2. Tuner Destination

Set	Destination	Band	Receiving Frequency Range	Channel Space	IF	RF
K/P	K1	FM	87.5MHz~108.0MHz	100kHz	+10.7MHz	25kHz
		AM	530kHz~1700kHz	10kHz	+450kHz	10kHz
E/T/H E2	E3 RDS	FM	87.5MHz~108.0MHz	50kHz	+10.7MHz	25kHz
		AM	531kHz~1602kHz	9kHz	+450kHz	9kHz
M/X/V	E1	FM	87.5MHz~108.0MHz	50kHz	+10.7MHz	25kHz
		AM	531kHz~1602kHz	9kHz	+450kHz	9kHz
M/V	K2	FM	87.5MHz~108.0MHz	100kHz	+10.7MHz	25kHz
		AM	530kHz~1610kHz	10kHz	+450kHz	10kHz

Type	E/E2/T/H	K/P	M/V	X
*Voltage Range	4.2V~5.0V	2.6V~4.1V	1.4V~2.5V	0.7~1.3V

* Pin 3 of microcomputer (X29, IC701).

3. Tuner Preset Frequency

P.CH	Frequency			P.CH	Frequency		
	K1(K,P TYPE)	K2(M,V TYPE)	E1/E3 (E,E2,T,H,M,V,X)		K1(K,P TYPE)	K2(M,V TYPE)	E1/E3 (E,E2,T,H,M,V,X)
1	FM 98.30MHz	FM 98.30MHz	FM 98.30MHz	16	FM 98.00MHz	FM 98.00MHz	FM 98.00MHz
2	FM 108.0MHz	FM 108.0MHz	FM 108.0MHz	17	FM 98.50MHz	FM 98.50MHz	FM 98.50MHz
3	FM 89.10MHz	FM 89.10MHz	FM 89.10MHz	18	FM 87.50MHz	FM 87.50MHz	FM 87.50MHz
4	FM 87.50MHz	FM 87.50MHz	FM 87.50MHz	19	AM 990kHz	AM 990kHz	AM 945kHz
5	FM 90.00MHz	FM 90.00MHz	FM 90.00MHz	20	FM 97.40MHz	FM 97.40MHz	FM 97.40MHz
6	FM 87.50MHz	FM 87.50MHz	FM 87.50MHz	21	AM 530kHz	AM 530kHz	AM 531kHz
7	FM 87.50MHz	FM 87.50MHz	FM 87.50MHz	22	FM 87.50MHz	FM 87.50MHz	FM 87.50MHz
8	AM 1610kHz	FM 87.50MHz	AM 1503kHz	23	FM 87.50MHz	FM 87.50MHz	FM 87.50MHz
9	AM 1700kHz	AM 1610kHz	AM 1584kHz	24	FM 87.50MHz	FM 87.50MHz	FM 87.50MHz
10	AM 1000kHz	AM 1000kHz	AM 999kHz	25	FM 87.50MHz	FM 87.50MHz	FM 87.50MHz
11	AM 630kHz	AM 630kHz	AM 621kHz	26	FM 87.50MHz	FM 87.50MHz	FM 87.50MHz
12	AM 1440kHz	AM 1440kHz	AM 1350kHz	27	FM 87.50MHz	FM 87.50MHz	FM 87.50MHz
13	FM 106.0MHz	FM 106.0MHz	FM 106.0MHz	28	FM 87.50MHz	FM 87.50MHz	FM 87.50MHz
14	AM 530kHz	AM 530kHz	AM 531kHz	29	FM 87.50MHz	FM 87.50MHz	FM 87.50MHz
15	FM 87.50MHz	FM 87.50MHz	FM 87.50MHz	30	FM 106.0MHz	FM 106.0MHz	FM 106.0MHz

CIRCUIT DESCRIPTION

4. Test Mode

4-1 Setting method of the Test Mode

Test Mode	Keys	Setting Method
CD MODE	CD PLAY key	Insert the AC cord to AC wall outlet while holding down the left key.
DECK MODE	TAPE PLAY	
* SUB CLOCK OSC DIAGNOSIS	MODE key	

* The oscillation diagnosis (existence of oscillation and measurement of period) of a sub clock is performed before the test mode is entered. If the diagnosis result is OK, the system enters the test mode.

If the diagnosis result is NG, the oscillation of the sub clock is diagnosed again. If the result is OK, the system enters the test mode. If the diagnosis result is continuously NG 5 times, the system stops with "ERR1" and "ERR2" displayed.

4-2 Cancel of the test mode

- Initialized and cancel the test mode if pulling out the power cord.
- Cancel the test mode only if the power key is turned off.

4-3 Contents of the Test Mode

- The muting during mode selection is not controlled in the test mode.
- During the test mode, it can be operated in a special manner that is different from an ordinary operation by using the keys on the main body, specifically as shown in the following tables.

4-4 CD Test Mode

Keys	Display	Operation
CD-PLAY/PAUSE (Cyclically changed the mode 05 and 03 by pressing the key.)	05 ** : ** (* * : *)Time Display	• Tracking-servo on. • Pickup moves inward.
	03 ** : ** (* * : *)Time Display	• Tracking-servo off. (for checking TE) • Pickup moves outward.
	00 : 00	Stop the CD operation.
CD STOP (Cyclically changed in the stop mode only.)	07 FG/FE	Adjustment value/mean value FG value /FE value
	08 FB/FO	FBAL value /FO value
	09 TG/TE	TG value /TE value
	10 TB/TO	TBAL value /TO value
SKIP UP	Ex.01~02	• Track number up.
SKIP DOWN	Ex.02~01	• Track number down.
SKIP UP	Usual Indication	• Play the first track number in the stop mode.
SKIP DOWN	Usual Indication	• Play the last track number in the stop mode.

4-5 Deck Test Mode

Keys	Display	Operation
TAPE REC	TAPE	• 4 Seconds Recording If the REC/ARM key is pressed, the system record for 4 seconds. Then, it rewinds to the REC starting position and plays back automatically. If the REC/ARM key is pressed, during the 4 seconds REC operation, the system records further for 4 seconds, then returns to the starting position of the first 4 seconds REC operation and plays back.
SOUND	Beat-C ON	Beat cancel will be on while pressing the sound key.

* Mechanism half switches indication

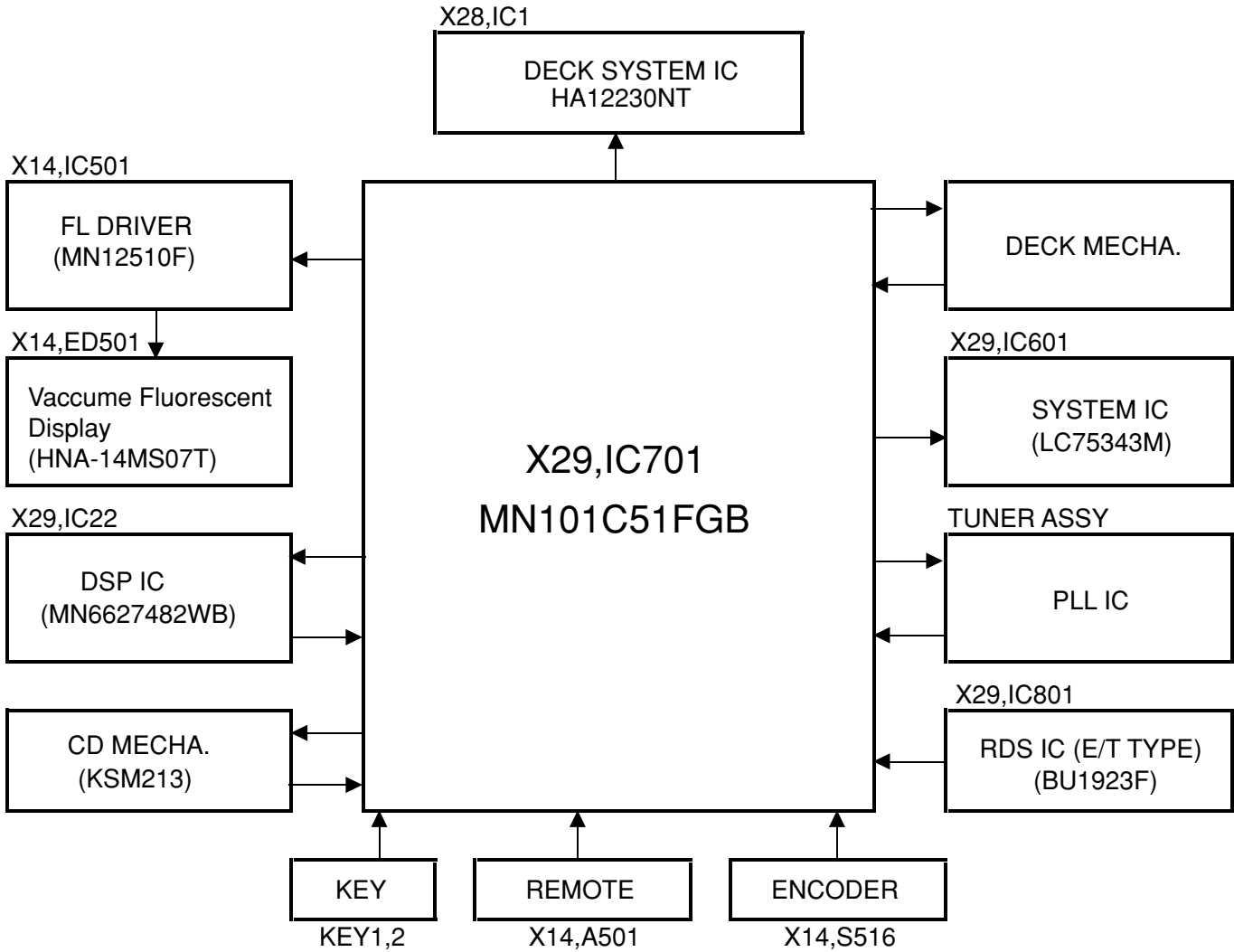
The mechanism half switches status are indicated "blank" or "E" in the display.

8th Dot(Display)	1st figure	2nd figure	3rd figure	4th figure
Mechanism Half Switch	FWD REC Inhibit Detection SW	RVS REC Inhibit Detection SW	Cassette Half Detection SW	Tape Play Detection SW
ON	Blank	Blank	Blank	Blank
OFF	E	E	E	E

CIRCUIT DESCRIPTION

5. Microcomputer : MN101C51FGB(X29,IC701)

5-1 Microcomputer Periphery Block Diagram



Key Matrix VREF =5.0V

Voltage Range	0	0.89	1.55	2.00	2.61	3.02	3.47	3.95	5.00
Key 1 (Pin 5)	ON/ STANDBY	AUX	TUNER	SKIP DOWN	STOP	CD PLAY	SKIP UP	CD OPEN	(off)
Key 2 (Pin 6)	REC	SET	MODE	O.T.E.	TAPE PLAY	REPEAT	SOUND		(off)

CIRCUIT DESCRIPTION

5-2 Port Description of Microcomputer

Pin No.	Pin Name	I/O	Pin Description	Active	
				H	L
1	VREF-	-	Power supply (-) for A/D converter.		
2	PH	I	Deck reel sensor input.		
3	TN TYPE	I	Discrimination of tuner destination.		
4	S LEVEL	I	RDS signal level input. (E/T version only)		
5,6	KEY1,KEY2	I	A/D key (1, 2) input.		
7	A LEVEL	I	Unused.		
8	TH	I	Unused.		
9	CD PROTECT	I	Detection pin of CD protection.		
10	VREF+	-	A/D reference voltage input of the A/D converter.		
11	VDD	I	Pin for power supply (+5V).		
12	OSC2	O	Main clock output (8.388MHz).		
13	OSC1	I	Main clock input (8.388MHz).		
14	VSS	-	Connected to be ground.		
15	XI	I	Timer clock input (32.768kHz).		
16	XO	O	Timer clock output (32.768kHz).		
17	MMOD	-	Connected to be ground.		
18	SDI	O	Data output to FL driver.		
19	SDO	I	Data input from FL driver.		
20	SCLK	O	Clock output to FL driver.		
21	MLD	O	CD DSP command load signal output.		Load
22	SUBQ	I	CD sub code input.		
23	SQCK	O	CD sub code clock output.		
24	CL SW	I	Input pin of close switch for CD tray.		Closed
25	RESET	I	Reset signal input for microcomputer.		Reset
26	CE	I	Back up detection input.	AC On	AC Off
27	OP SW	I	Input pin of open switch for CD tray.		Opened
28	CD POWER	O	ON/OFF control pin for CD DSP power.	ON	OFF
29	XRST	O	CD DSP reset output.		Reset
30	SLT SW	I	CD start limit switch input. "L" : Start Limit Position		
31	REM CONTROL	I	Remote control signal input.		
32	NO USE	-	Unused.		
33	RDSCLK	I	RDS clock input. (E/T version only)		
34	CE2	I	Detection pin of voltage drop.		
35	CD BLKCK	I	Sub code block clock input.		
36	MDATA	O	CD DSP command data output.		
37	STAT	I	CD DSP status signal input.		
38	MCLK	O	CD DSP command clock signal output.		
39	CLOSE	O	Control pin of CD tray motor.		
40	OPEN	O	Control pin of CD tray motor.		
41	HP I	I	Detection pin for headphones jack.	Detected	
42	FLASH UC 1	I	Power supply for flash ROM.		
43	FLASH UC 2	I	Power supply for flash ROM.		
44	EVOL CE	O	Chip enable output of electronic volume (X29, IC601).		
45	EVOL.CLK	O	Clock output of electronic volume (X29, IC601).		
46	EVOL.DATA	O	Data output of electronic volume (X29, IC601).		
47	POWER RLY	O	Power relay control.	ON	
48,49	N.C.	-	Unused.		
50	FLASH WRITE	I	Unused.		
51	N.C.	-	Unused.		
52	PLL CLK	O	PLL IC clock output.		
53	PLL DO/ST	I	PLL IC data input.		
54	PLL DAT	O	PLL IC data output.		
55	PLL CE	O	PLL IC chip enable output.		

CIRCUIT DESCRIPTION

Pin No.	Pin Name	I/O	Pin Description	Active	
				H	L
56	SD	I	SD detector input.		Detected
57	TU MUTE	O	Tuner mute control.		Mute ON
58	PLAY SW	I	Detection switch input of head position for deck.		Playback
59	REC R SW	I	Deck reverse recording switch input.	OFF	ON
60	REC F SW	I	Deck forward recording switch input.	OFF	ON
61	HALF SW	I	Cassette half switch input.		Detected
62	BEAT C	O	ON/OFF control pin of beat cancel for deck.	ON	OFF
63	R/P	O	Deck recording & playback changeover.	Recording	Playback
64	BIAS	O	ON/OFF control pin of bias for deck.	ON	OFF
65	A/B-1	O	Deck recording mute & head select control 1.		
66	A/B-2	O	Deck recording mute & head select control 2.		
67	MUTE	O	Deck line mute control.	ON	
68	CPM	O	Control pin of capstan motor for deck.		
69	SOL	O	Control pin of solenoid for deck.		
70	RDS DATA	I	RDS data input. (E/T version only)		
71	PROTECT	I	Detection pin of the protection for power supply.		
72	AMUTE	O	Audio mute output.		
73	SP RLY	O	On/off control pin for speaker relay.		
74	EEP SDA	I/O	EEPROM data input/output.		
75	EEP SCL	O	EEPROM clock output.		
76,77	ENC A,B	I	Volume encoder (X14, S516) signal inputs.		
78	LED STBY RED	O	Standby led (red) control pin.	OFF	ON
79	LED STBY GRN	O	Standby led (green) control pin.	OFF	ON
80	NCS	O	Chip enable output of FL driver.		

6. Description of ICs

6-1 DSP IC : MN6627482WB(X29, IC22)

Pin No.	Pin Name	I/O	Pin Description
1	BCLK	-	Unused.
2	LRCK	-	Unused.
3	SRDATA	-	Unused.
4	DVDD1	-	Digital power supply.
5	DVSS1	-	Digital ground.
6	TX	O	Digital Out output.
7	MCLK	I	CPC command clock signal input.
8	MDATA	I	CPU command data signal input.
9	MLD	I	CPU command load signal input. "L" : Load
10	SENSE	-	Unused.
11	FLOCK	-	Unused.
12	TLOCK	-	Unused.
13	BLKCK	O	Sub code block clock output.
14	SQCK	I	Sub code Q data clock input pin.
15	SUBQ	O	Sub code Q data signal output pin.
16	DMUTE	-	Connected to be ground.
17	STAT	O	Status signal output.
18	RST	I	Reset signal input.
19	SMCK	-	Clock signal output (unused).
20	PMCK	-	Clock signal output (unused).
21	TRV	O	Traverse stop signal output.
22	TVD	O	Traverse control pin.
23	PC	O	Spindle motor on signal output.
24	ECM	O	Control signal output for spindle motor.
25	ECS	O	Control signal output for spindle motor.

CIRCUIT DESCRIPTION

Pin No.	Pin Name	I/O	Pin Description
26	KICK	O	Kick pulse output for tracking driver.
27	TRD	O	Tracking servo drive PWM output (-).
28	FOD	O	Focus drive output.
29	VREF	I	Reference power supply for DA output pin.
30	FBAL	O	Focus balance adjusting output.
31	TBAL	O	Tracking balance adjusting output.
32	TE	I	Tracking error signal input.
33	FE	I	Focus error signal input.
34	RFENV	I	RF envelope signal input.
35	VDET	I	VDET input (connected to be ground).
36	OFT	I	Off track signal input. "H" : Off Track
37	TRCRS	I	CROSS input pin.
38	RFDET	I	RF detector signal input pin.
39	BDO	I	Drop out signal input. "H" : Drop Out
40	LDON	O	Laser on signal output.
41	PLL2	-	Unused.
42	TOFS	-	Unused.
43	WVEL	-	Unused.
44	ARF	I	RF signal input.
45	IREF	I	Reference current input pin.
46	DRF	I	DSL bias pin.
47	DSL2	O	DSL loop filter pin.
48	PLL2	O	PLL loop filter pin.
49	VCOF	-	Analog power supply.
50	AVDD2	-	Analog power supply.
51	AVSS2	-	Analog ground.
52	EFM/CK384	-	Unused.
53	PCK/DSL2	-	Unused.
54	VCOF2	O	Jitter free VCO loop filter pin.
55	SUBC	-	Unused.
56	SBCK	-	Connected to be ground.
57	VSS	-	GND
58	X1	I	Crystal oscillation circuit input. f =16.9344MHz
59	X2	O	Crystal oscillation circuit output. f =16.9344MHz
60	XVDD	-	Analog power supply.
61	BYTCK	-	Unused.
62	CLDCK	-	Unused.
63	FCLK	-	Unused.
64	IPFLAG	-	Unused.
65	FLAG	-	Unused.
66	CLVS	-	Unused.
67	CRC	-	Unused.
68	DEMPH	-	Unused.
69	RESY	O	Capacitance connection pin for RF bright side envelope detection.
70	IOSEL	-	Connected to be analog power supply.
71	TEST	-	Connected to be analog power supply.
72	AVDD1	-	Analog power supply.
73	OUTL	O	L ch audio output.
74	AVSS1	-	Analog ground.
75	OUTR	O	R ch audio output.
76	RSEL	-	Unused.
77	CSEL	-	Connected to be ground.
78	PSEL	-	GND
79	MSEL	-	GND
80	SSEL	-	Unused (connected to be power supply)

CIRCUIT DESCRIPTION

6-2 Channel BTL Driver : AN4801SB-E1(X29, IC23)

Pin No.	Pin Name	I/O	Pin Description
1	IN2	I	Driver 2 input.
2	PC2	I	Power cut input (channel 2 mute).
3	IN1	I	Driver 1 input.
4	PC1	I	Power cut input (channel 1 mute).
5	RESOUT	O	Reset output.
6	N.C.	-	Unused.
7	N.C.	-	Unused.
8	PGND1	-	Ground 1 for driver.
9	PVCC1	-	Power supply 1 for driver.
10	V01-	O	Driver 1 inverted output.
11	V01+	O	Driver 1 forward output.
12	V02-	O	Driver 2 inverted output.
13	V02+	O	Driver 2 forward output.
14	V03-	O	Driver 3 inverted output.
15	V03+	O	Driver 3 forward output.
16	V04-	O	Driver 4 inverted output.
17	V04+	O	Driver 4 forward output.
18	PVCC2	-	Power supply 2 for driver.
19	PGND2	-	Ground 2 for driver.
20	STBY	I	Standby input.
21	N.C.	-	Unused.
22	N.C.	-	Unused.
23	SVCC	-	Power supply.
24	VREF	-	Reference voltage input.
25	IN4	I	Driver 4 input.
26	IN3	I	Driver 3 input.

6-3 CD Motor Driver : TA8409S (X29, IC26)

Pin No.	Pin Name	I/O	Pin Description
1	IN2	I	Input pin.
2	VCC	-	Power supply.
3	OUT2	O	Output pin.
4	NC	-	Unused.
5	GND	-	GND
6	VS	-	Power supply for output side.
7	OUT1	O	Output pin.
8	VREF	-	Control power supply.
9	IN1	I	Input pin.

Function

INPUT		OUTPUT		MODE
IN 1	IN 2	OUT 1	OUT 2	
0	0	∞	∞	STOP
1	0	H	L	CW/CCW
0	1	L	H	CCW/CW
1	1	L	L	BRAKE

∞ : High Impedance

Note) Input : "H" Active

CIRCUIT DESCRIPTION

6-4 Electronic Volume System IC : LC75343M : (X29, IC601)

Pin No.	Pin Name	I/O	Pin Description
1	DI	I	Serial data input pin for control.
2	CE	-	Chip enable pin.
3	VSS	-	Ground pin.
4	LOPOUT	O	Output pin of general-purpose operation amplifier.
5	LINM	I	Non-inverted input pin of general-purpose operation amplifier.
6	LINP	I	Non-inverted input pin of general-purpose operation amplifier.
7	LOUT	O	ATT + equalizer output pin/ capacitor connection pin comprising filter for super-bass.
10,9,28, 29,8,30	LBASS1,LBASS2 RBASS1,RBASS2 LSB,RSB	-	Capacitor and resistor connection pins comprising filters for bass and super-bass band or for mid and bass band.
11	LTRE	-	Capacitor connection pin comprising treble band filter.
12	LVRIN	I	Volume input pin.
13	LSEL0	O	Input selector output pin.
14,24	L5,R5	I	Input signal pin (open).
15,23	L4,R4	I	AUX input.
16,22	L3,R3	I	TUNER input.
17,21	L2,R2	I	DECK (playback) input.
18,20	L1,R1	I	CD input.
19	VREF	-	Reference voltage for analog ground.
25	RSEL0	O	Input selector output pin.
26	RVRIN	I	Volume input pin.
27	RTRE	-	Capacitor connection pin comprising treble band filter.
31	ROUT	O	ATT + equalizer output pin/ capacitor connection pin comprising filter for super-bass.
32	RINP	I	Non-inverted input pin of general-purpose operation amplifier.
33	RINM	I	Non-inverted input pin of general-purpose operation amplifier.
34	ROPOUT	O	Output pin of general-purpose operation amplifier.
35	VDD	-	Power supply pin.
36	CL	I	Clock input pin for control.

6-5 RDS Demodulator IC : BU1923F (X29, IC801) E/T Type only

Pin No.	Pin Name	I/O	Pin Description
1	QUAL	O	Output for signal quality indication.
2	RDATA	O	Demodulation data output.
3	VREF	I	Reference voltage input.
4	MUX	I	Composite signal input.
5	VDD1	-	Analog power supply.
6	VSS1	-	Analog GND.
7	VSS3	-	Analog GND.
8	CMP	I	Comparator.
9	T2	I	Test pin (connected to be ground).
10	T1	I	Test pin (connected to be ground).
11	VSS2	-	Digital GND.
12	VDD2	-	Digital power supply.
13	XI	I	Crystal oscillation circuit input.
14	XO	O	Crystal oscillation circuit output.
15	N.C.	-	Unused.
16	RCLK	I/O	Demodulation clock.

CIRCUIT DESCRIPTION

6-6 CD RF IC : AN8399SA-E1 (X29,IC21)

Pin No.	Pin Name	I/O	Pin Description
1	PD	I	APC Amp input
2	LD	O	APC Amp output
3	VCC	-	Power supply
4	RF	I	RF amp inverting input
5	RF OUT	O	RF addition amp output
6	RF IN	I	AGC amp input
7	LDRCTL	-	LD reference voltage control
8	CAGC	-	AGC loop filter connection
9	ARF	O	AGC output
10	CEA	-	Capacitance connection for RF HPF-Amp
11	3TOUT	O	3T-ENV output
12	CSBDO	-	Capacitance connection for RF dark side envelope detection
13	BDO	O	BDO output
14	COFTR	-	Capacitance connection for RF bright side envelope detection
15	OFTR	O	OFTR output
16	NRFDET	O	NRFDET output
17	GND	-	Ground
18	SLPSW	-	Sleep mode control
19	VREF	O	VREF output
20	TEN	I	TE. Amp inverting input
21	TEOUT	O	TE. Amp output
22	FEN	I	FE. Amp inverting input
23	FEOUT	O	FE. Amp output
24	GCTL	O	Gain & APC control
25	FBAL	O	F. BAL control
26	TBAL	O	T. BAL control
27	E	I	Tracking signal input 1
28	F	I	Tracking signal input 2
29	D	I	Focus signal input 4
30	B	I	Focus signal input 2
31	C	I	Focus signal input 3
32	A	I	Focus signal input 1

6-7 PB/REC Equalizer System IC : HA12230NT (X28, IC1)

Pin No.	Pin Name	I/O	Pin Description
1	VREF	-	Reference voltage.
2	GND	-	Ground pin.
3	BINR	I	PB B deck right channel input.
4	AINR	I	PB A deck right channel input.
5	PBNFR	-	PB EQ. feed back.
6	PBEQR	O	Equalizer right channel output (70u).
7	EQOR	O	Equalizer right channel output (120u).
8	TAIR	I	Tape right channel input.
9	PBOOR	O	PB right channel output.
10	MAOUT	O	MS amplifier output (unused).
11	MAI	I	MS amplifier input (unused).
12	IREF	I	Equalizer reference current input.
13	RECIR	I	Rec equalizer right channel input.
14	RIP	O	NAB output.
15	RECOR	O	Rec equalizer right channel output.
16	RECOL	O	Rec equalizer left channel output.
17	VCC	-	Power supply.
18	RECIL	I	Rec equalizer left channel input.
19	MUTE	I	Mode control input.

CIRCUIT DESCRIPTION

Pin No.	Pin Name	I/O	Pin Description
20	A120/70	I	Mode control input (connected to GND).
21	A/B	I	Mode control input.
22	B 1/11	I	Mode control input (connected to GND).
23	PBOL	O	PB left channel output.
24	TAIL	I	Tape left channel input.
25	EQOL	O	Equalizer left channel output (120u).
26	PBEQL	O	Equalizer left channel output (70u).
27	PBNFL	-	PB EQ. feed back.
28	AINL	I	PB A deck left channel input.
29	BINL	I	PB B deck left channel input.
30	RECRET	-	Rec return.

6-8 PLL Frequency Synthesizer LSI : LC72131M(Tuner Assy IC2)

Pin No.	Pin Name	I/O	Pin Description
1	X IN	I	Crystal resonator connection.
2	CE	I	Chip enable.
3	DI	I	Input serial data.
4	CL	I	Used as the synchronization clock when serial data is input to the DI(pin 3), or when serial data is output DO(pin 5).
5	\overline{DO}	O	Outputs serial data.
6	$\overline{B01}$	O	<ul style="list-style-type: none"> Dedicated output pins. The output states are determined by B01 to B04 in the serial data. "Data" =0 : Open "Data" =1 : Low These pins go to the open state after the power-on reset.
7	$\overline{B02}$		
8	$\overline{B03}$		
9	$\overline{B04}$		
10,12	I01, I02	I/O	Pins used for both input and output. The input or output state is determined by bits I0C1 and I0C2 in the serial data. "Data" = 0 : Open, "Data" = 1: Low
11	IF IN	I	IF count input.
13	AM IN	I	Local oscillator signal input.
14	FM IN	I	Local oscillator signal input.
15	VDD	-	Power supply.
16	PD	O	PLL charge pump output
17, 18	AIN AOUT	I O	The MOS transistor used for the PLL active low-pass filter.
19	VSS	-	Ground.
20	X OUT	O	Crystal resonator connection.

ADJUSTMENT

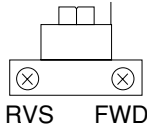
CD player adjustment

No.	ITEM	INPUT SETTING	OUTPUT SETTING	PLAYER SETTING	ALIGNMENT POINT	ALIGN FOR	FIG.
Insert the AC cord to AC wall outlet while holding down the [CD PLAY/PAUSE] key.							
1	LASER CURRENT	Test disc Type 4	Connect the DC voltmeter to CN23(#1 and #2) in X29	Press the "PLAY" key to check that the display is "03" or "05"	-	220mV to 550mV	

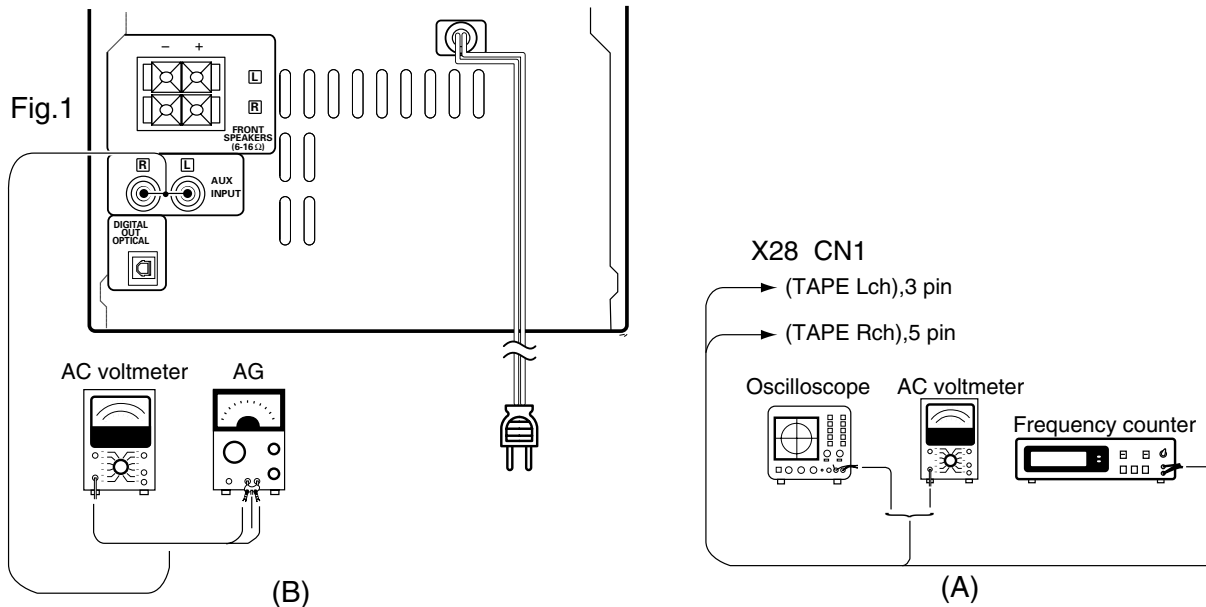
Note:
 Type 4disc :SONY YEDS-18 Test Disc or equivalent. (KTD-02)
 LPF : Around 47kΩ + 390pF or so.

Cassette Deck adjustment

0dBs=0.775V

No	ITEM	INPUT SETTING	OUTPUT SETTING	DECK SETTING	ALIGNMENT POINT	ALIGN FOR	FIG.
I . CASSETTE MECHANISM UNIT							
< 1 >	Demagnetization and cleaning	-	-	Demagnetization: POWER OFF Cleaning: PLAY	Recording head, erase head, capstan pinch roller	Demagnetize the REC / PLAY head with the head eraser. Clean the REC / PLAY head, erase head, capstan and pinch roller using a cotton swab slightly damped with alcohol.	
< 2 >	Azimuth of the REC/PLAY head	SCC-1727 TCC-153 MTT-114 10kHz, -10dB	(A)	PLAY	 RVS FWD	Adjust the output to maximum and adjust the azimuth adjustment screw for the Lissajours waveform pattern of the oscilloscope to become close to a 45° straight line.	
< 3 >	TAPE SPEED (NORMAL)	TCC-110 MTT-111 SCC-1727 3kHz	(A)	PLAY	Trimming pot in the motor.	Check the tape speed so that 3kHz(±2%) is obtained at the center of the tape.	
II . PC BOARD ADJUSTMENT							
< 1 >	BIAS CURRENT	(B) Connect the AG to jack. 1kHz: -30dBs 10kHz: -30dBs	(A)	REC and PLAY	VR 1 (L) VR 2 (R)	Record 1kHz and 10kHz alternately, and adjust the bias current adjustment potentiometer for the playback levels (-21dBs) to become the same.	Fig.1

SYSTEM CONNECTIONS

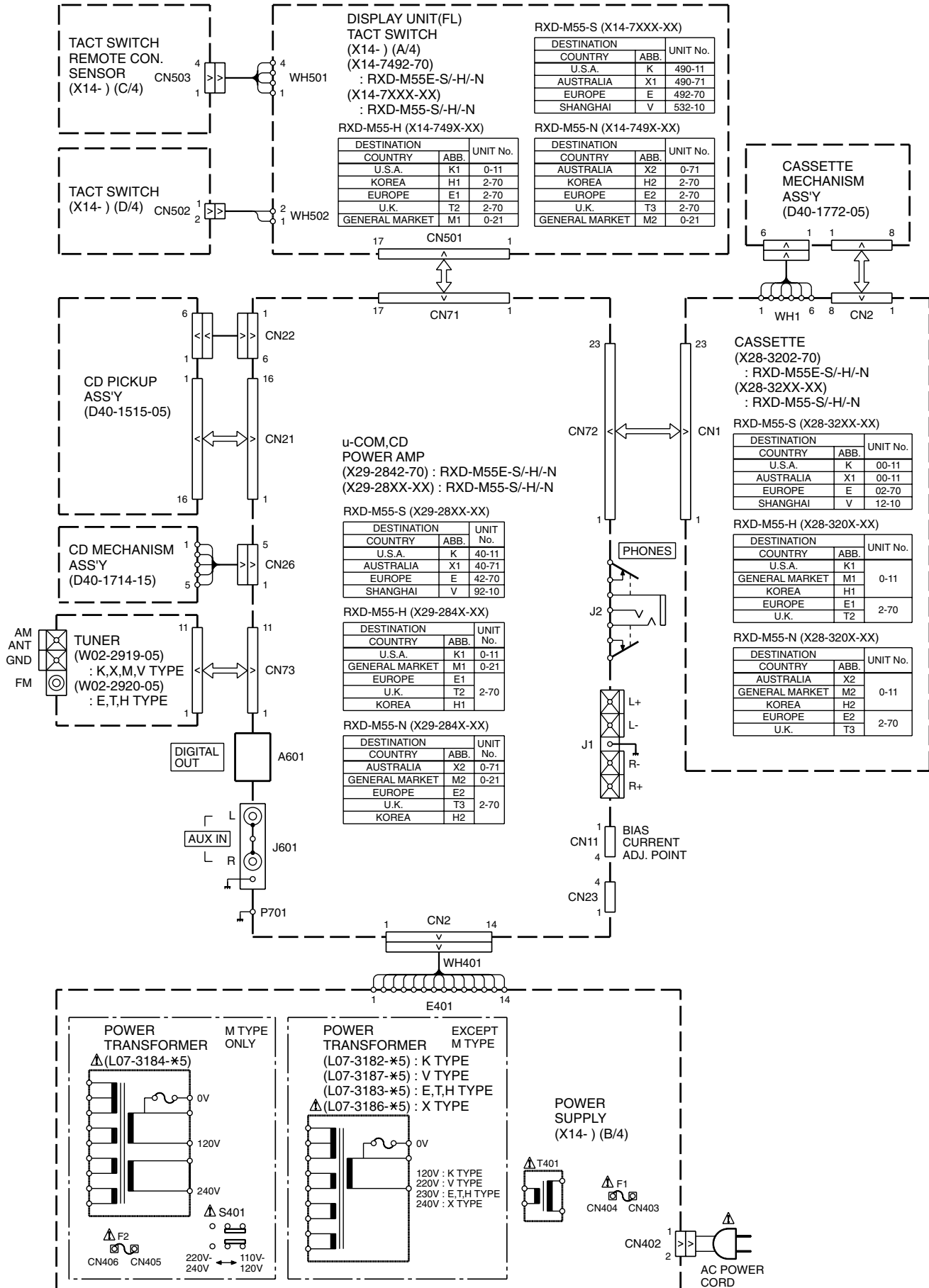


ADJUSTMENT

No.	ITEM	INPUT SETTINGS	OUTPUT SETTINGS	AMPLIFIER SETTINGS	ALIGNMENT POINTS	ALIGN FOR	FIG.
<p>Unless otherwise specified, the individual switches should be set as following :</p> <p>POWER : ON</p>							
1	IDLE CURRENT	–	Connect a DC voltmeter to CN11 (① ②), Rch CN11 (③ ④), Lch (X29)	VOLUME : 0	VR1 (L) VR2 (R) (X29)	4.4 mV	

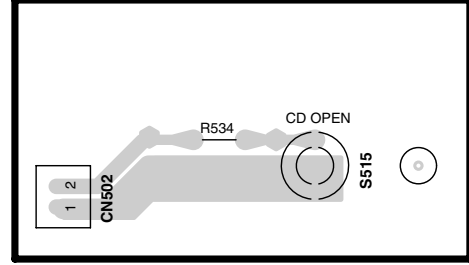
RXD-M55-H/M55-N/M55-S/M55E-H/M55E-N/M55E-S

WIRING DIAGRAM

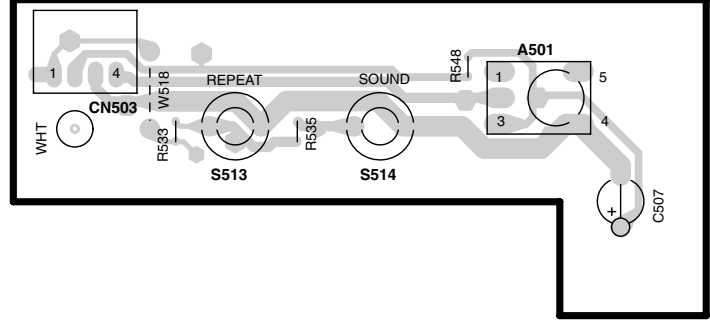


PC BOARD(Component side view)

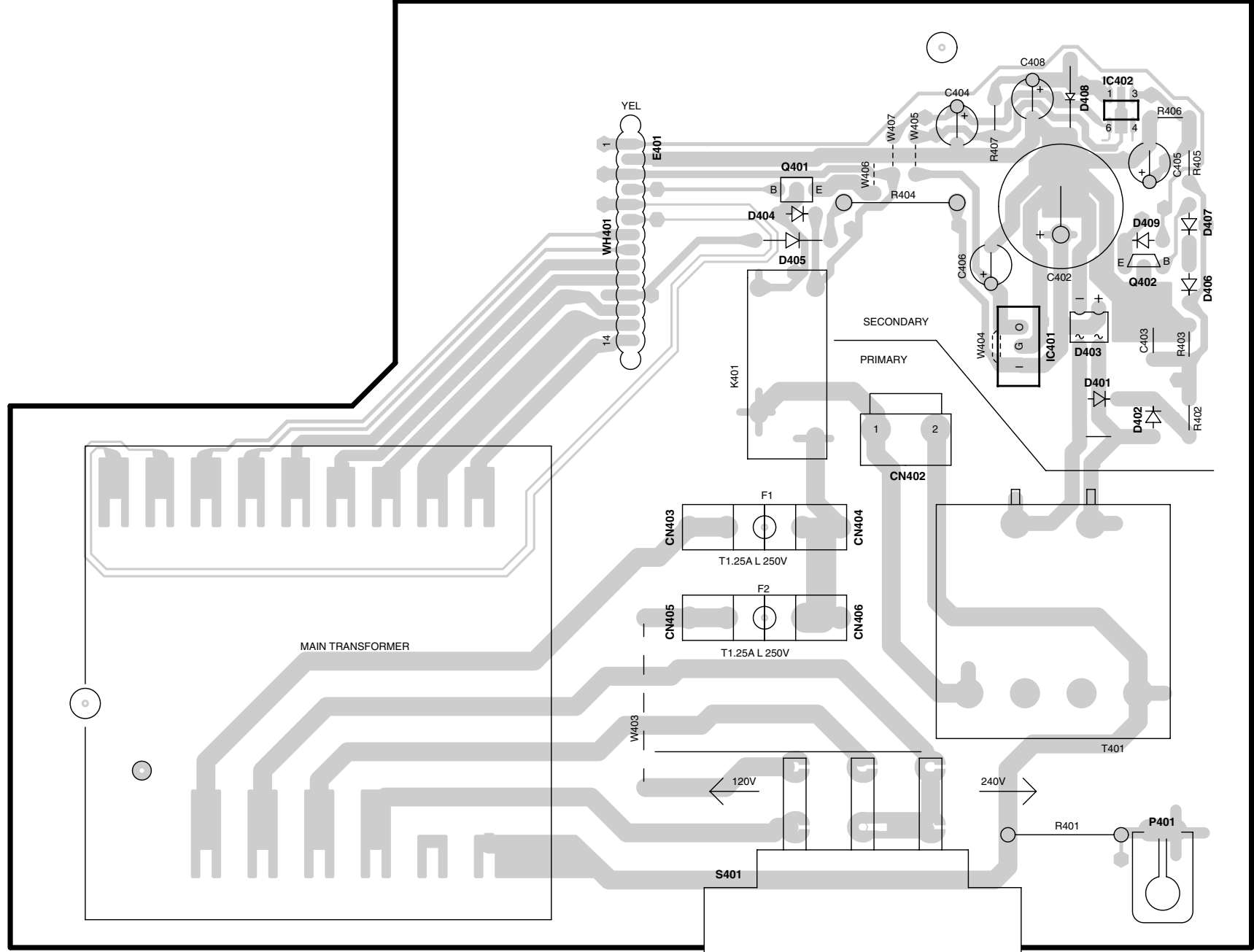
X14 D/4



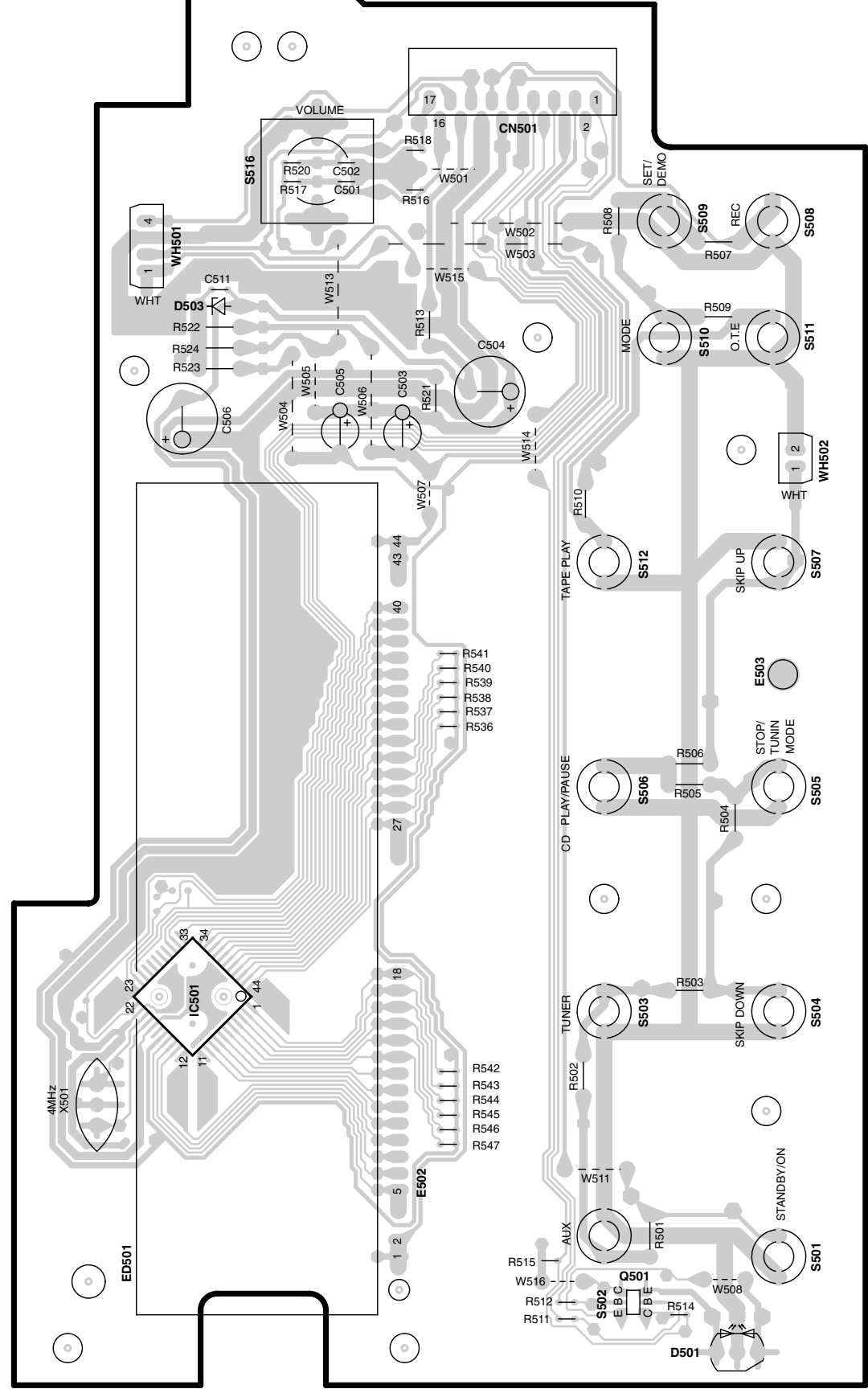
X14 C/4



X14 B/4

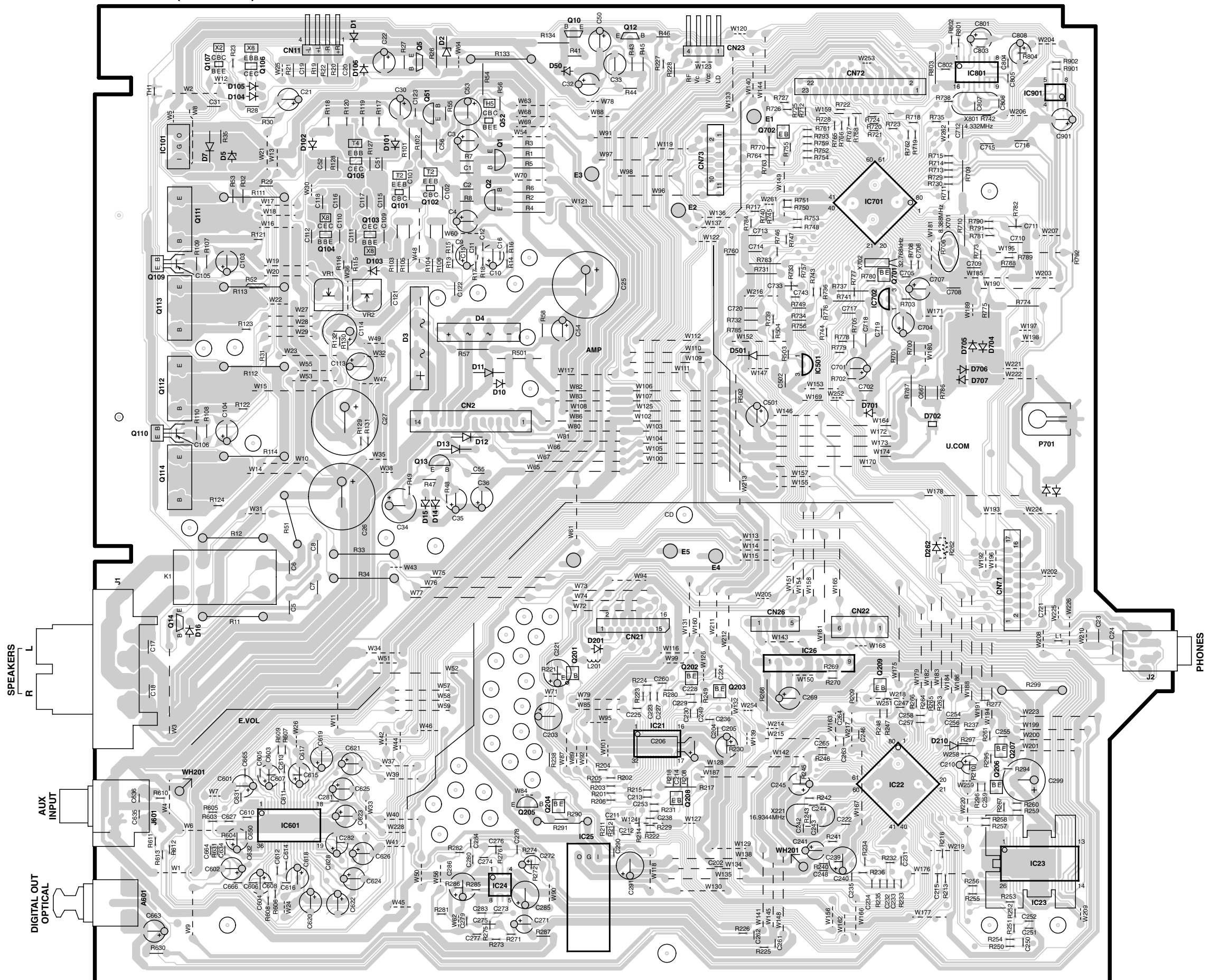


X14-7492-70 A/4 (J70-1594-11)



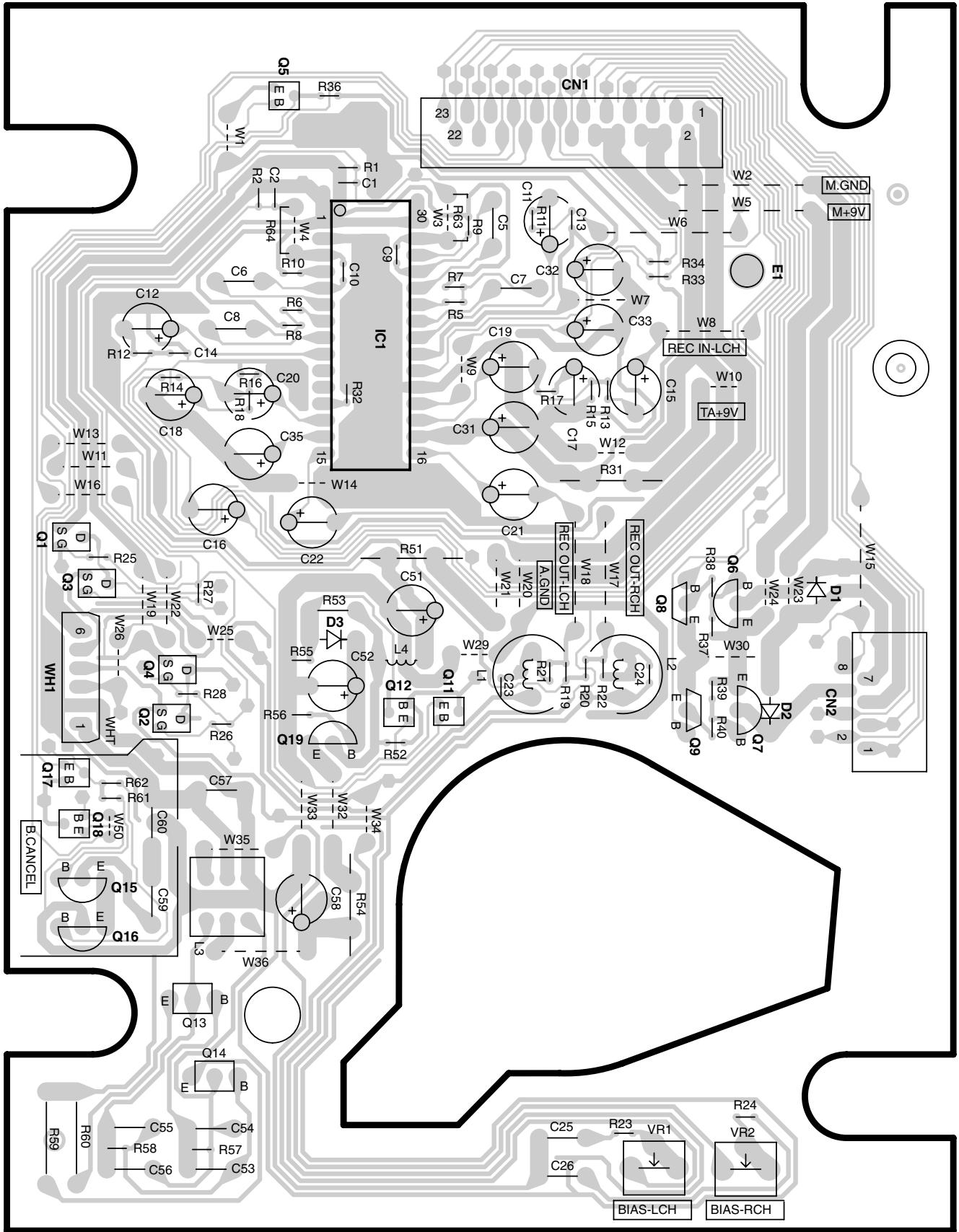
PC BOARD(Component side view)

X29-2842-70 (J70-1577-21)



PC BOARD (Component side view)

X28-3202-70 A/2 (J70-1592-21)



Refer to the schematic diagram for the value of resistors and capacitors.

RXD-M55-H (X28-320X-XX)

DESTINATION COUNTRY	ABB.	UNIT No.	(A)	C9, 10
U.S.A.	K1	0-11	NO	NO
GENERAL MARKET	M1			
KOREA	H1			
EUROPE	E1	2-70	YES	YES
U.K.	T2			

RXD-M55-N (X28-320X-XX)

DESTINATION COUNTRY	ABB.	UNIT No.	(A)	C9, 10
AUSTRALIA	X2	0-11	NO	NO
GENERAL MARKET	M2			
KOREA	H2			
EUROPE	E2	2-70	YES	YES
U.K.	T3			

RXD-M55E-H (X28-3202-70)

DESTINATION COUNTRY	ABB.	UNIT No.	(A)	C9, 10
EUROPE	E4	2-70	YES	YES

RXD-M55E-N (X28-3202-70)

DESTINATION COUNTRY	ABB.	UNIT No.	(A)	C9, 10
EUROPE	E5	2-70	YES	YES

RXD-M55E-S (X28-3202-70)

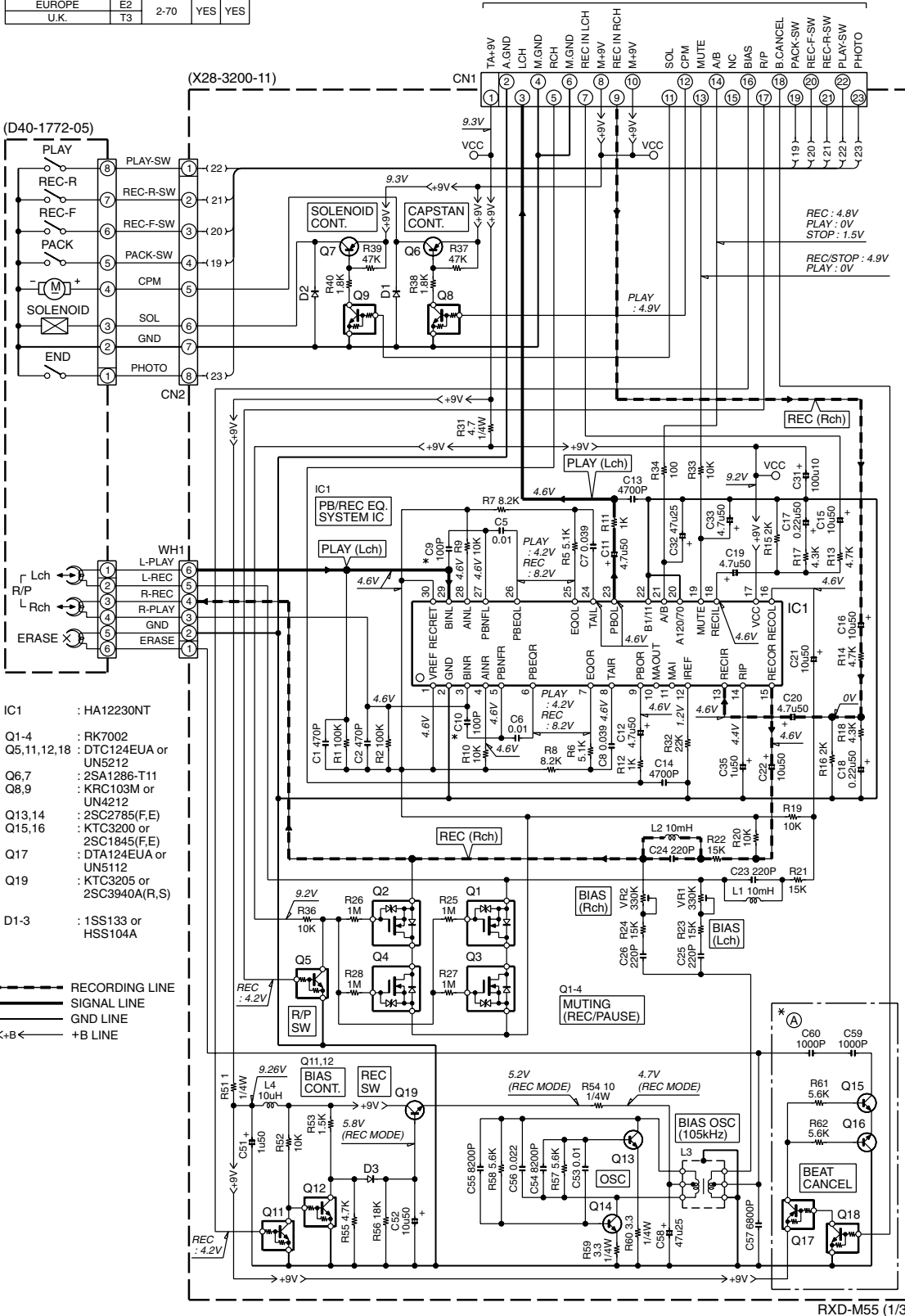
DESTINATION COUNTRY	ABB.	UNIT No.	(A)	C9, 10
EUROPE	E3	2-70	YES	YES

RXD-M55-S (X28-32XX-XX)

DESTINATION COUNTRY	ABB.	UNIT No.	(A)	C9, 10
U.S.A.	K	00-11	NO	NO
AUSTRALIA	X1	00-11	NO	NO
EUROPE	E	02-70	YES	YES
SHANGHAI	V	12-10	NO	NO

X29-CN72

2/3 AD-5



- IC1 : HA12230NT
- Q1-4 : RK7002
- Q5,11,12,18 : DTC124EUA or UN5212
- Q6,7 : 2SA1286-T11
- Q8,9 : KRC103M or UN4212
- Q13,14 : 2SC2785(F,E)
- Q15,16 : KTC3200 or 2SC1845(F,E)
- Q17 : DTA124EUA or UN5112
- Q19 : KTC3205 or 2SC3940A(R,S)
- D1-3 : 1SS133 or HSS104A

RXD-M55 (1/3)

CAUTION: For continued safety, replace safety critical components only with manufacturer's recommended parts (refer to parts list). Δ indicates safety critical components. For continued protection against risk of fire, replace only with same type and rating fuse(s). To reduce the risk of electric shock, leakage-current or resistance measurements shall be carried out (exposed parts are acceptably insulated from the supply circuit) before the appliance is returned to the customer.

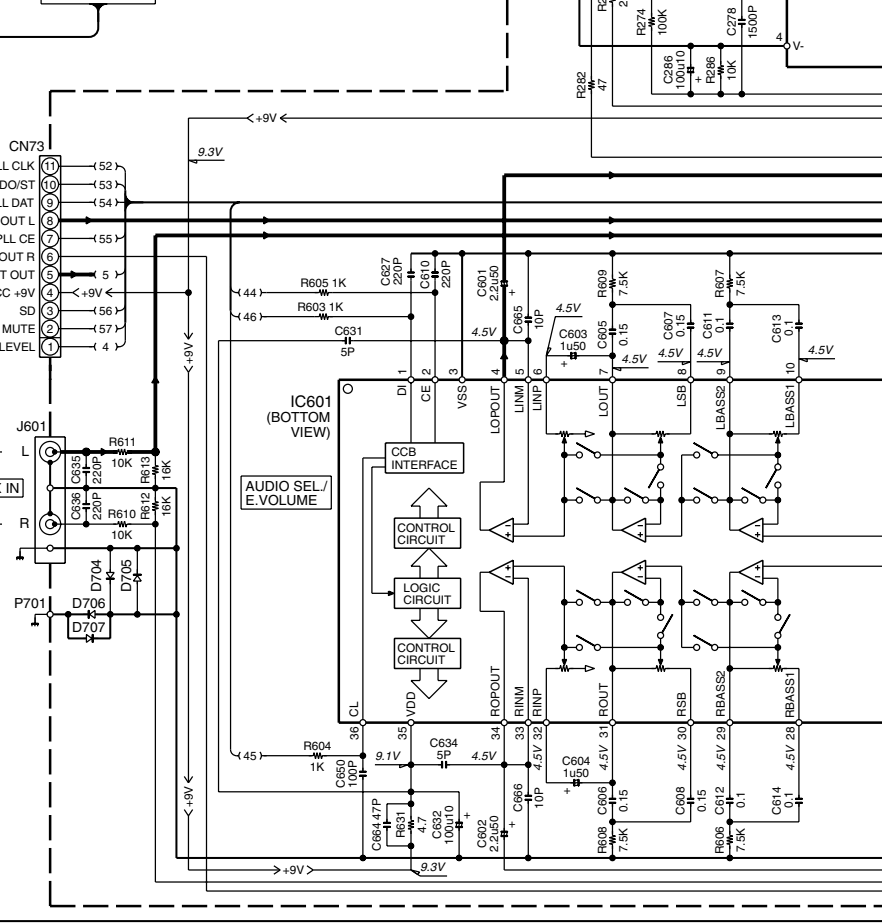
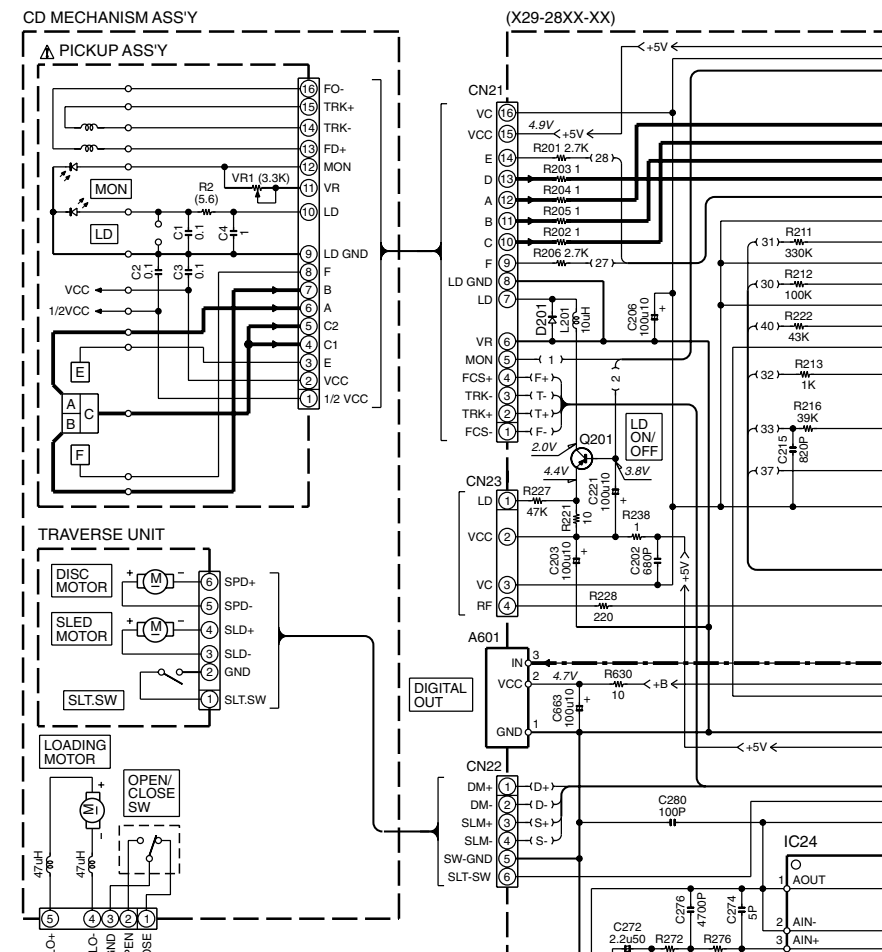
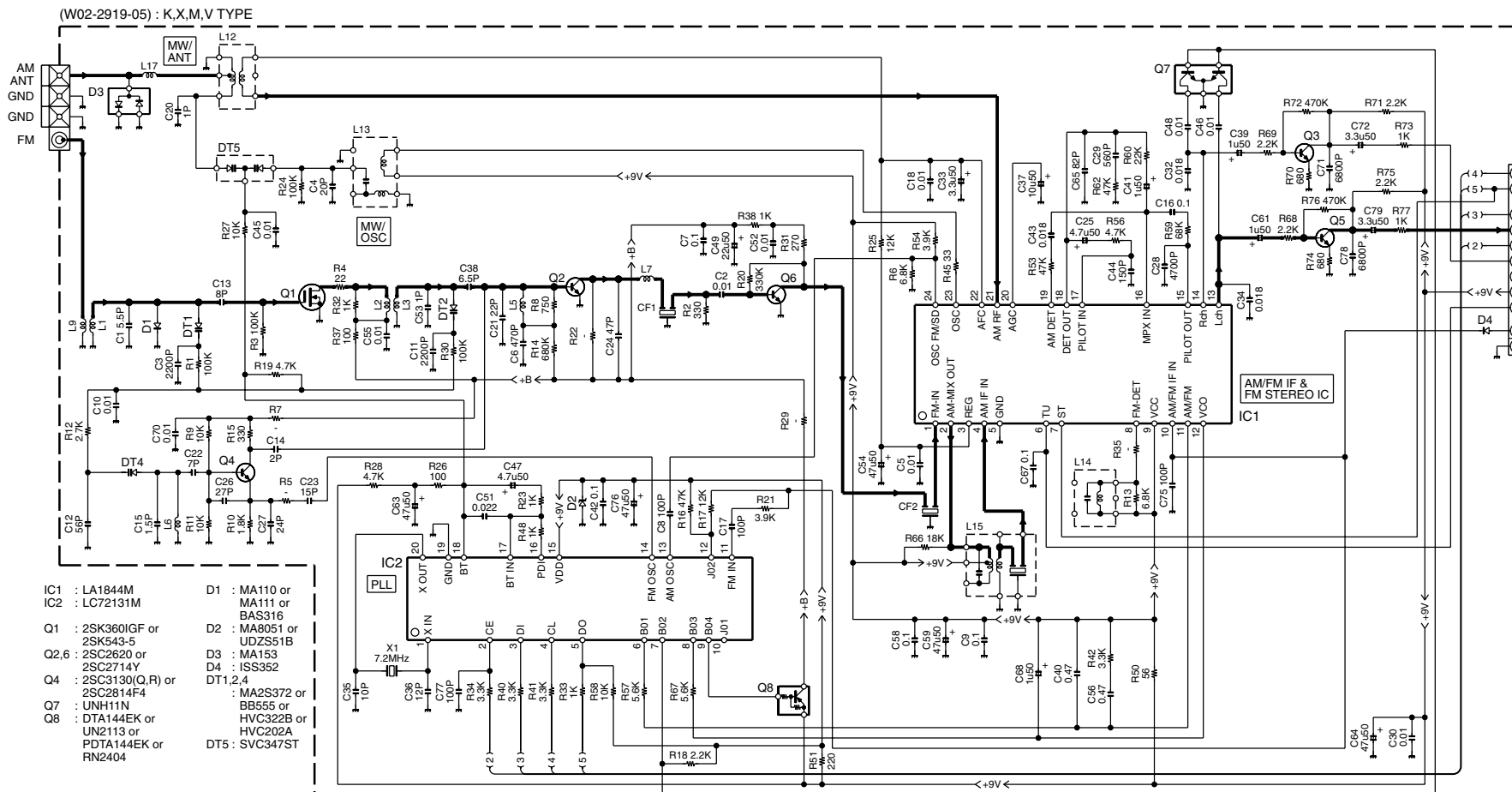
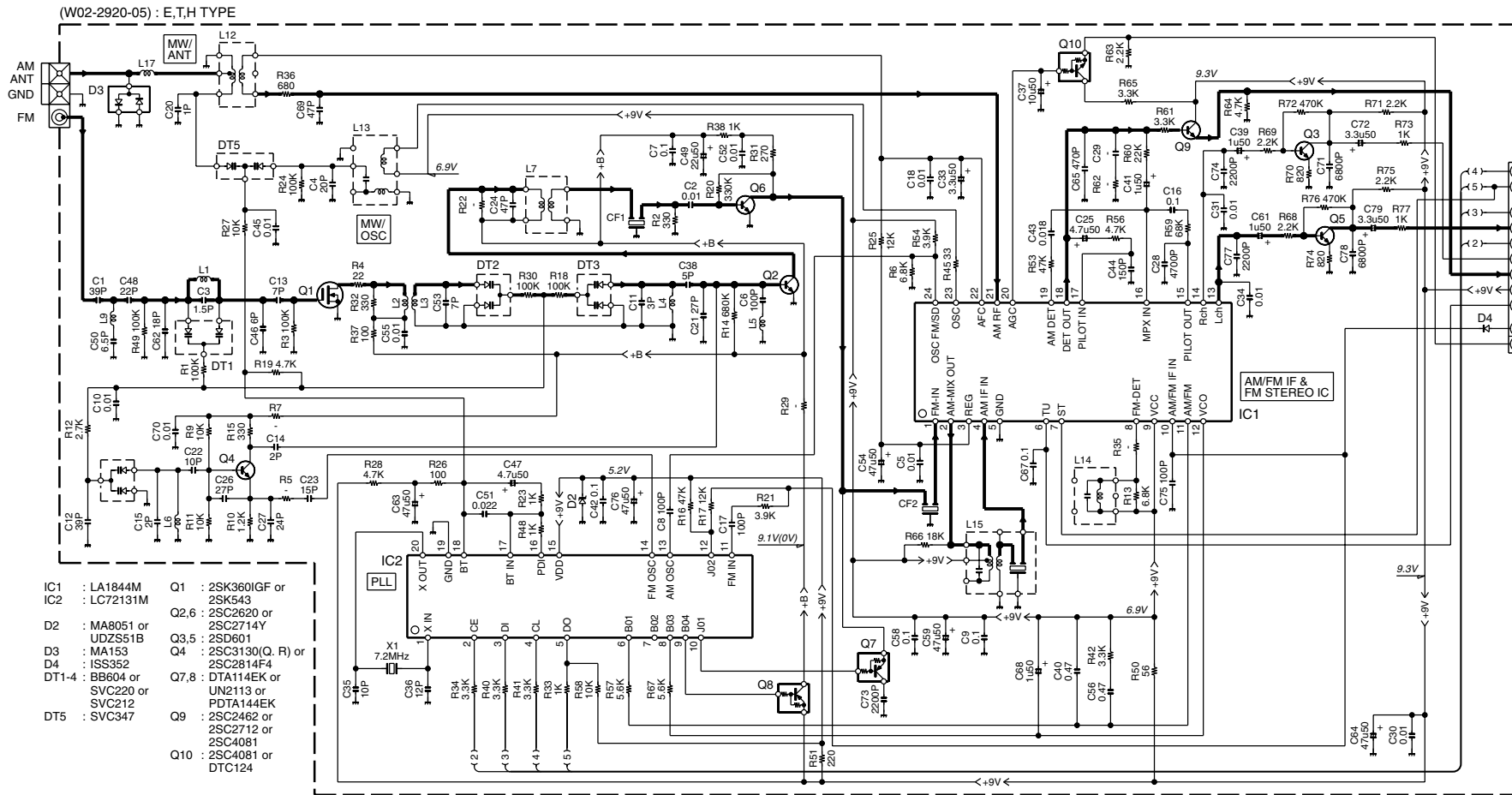
The DC voltage is an actual reading measured with a high impedance type voltmeter with no signal input. The measurement value may vary depending on the measuring instruments used or on the product.

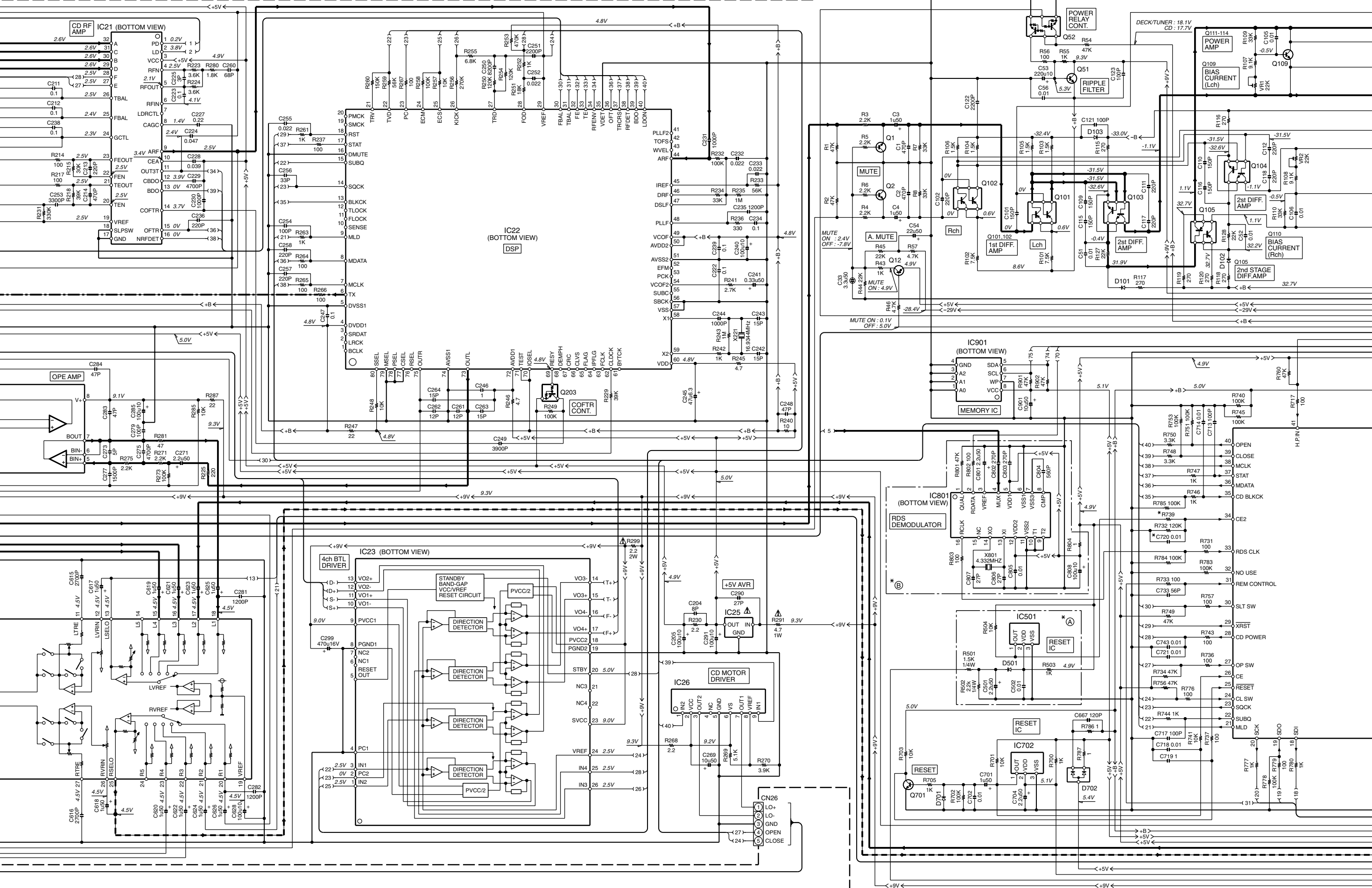
DOLBY and the double-D symbol are trademarks of Dolby Laboratories Licensing Corporation. Noise reduction circuit made under license from Dolby Laboratories Licensing Corporation.

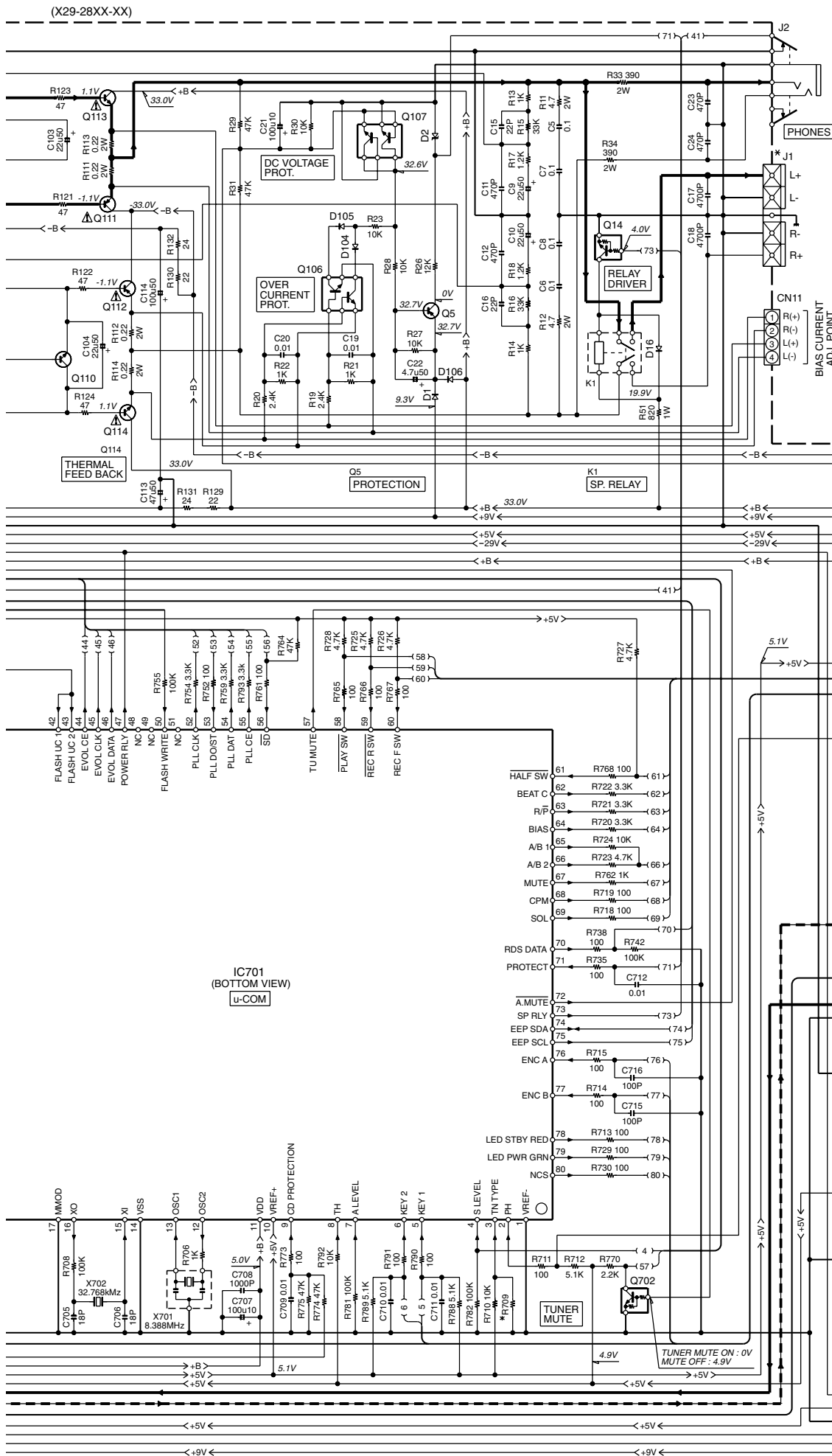
RXD-M55-H/M55-N/M55-S/M55E-H/M55E-N/M55E-S

Y39-4252-70

KENWOOD







RXD-M55-S (X29-28XX-XX)

DESTINATION	COUNTRY	ABB.	UNIT No.	(A)	(B)	C25	C720	D10, 11	J1	R709	R739
U.S.A.	K		40-11	NO	NO	2200u25	NO	NO	E70-0155-05	18K	NO
AUSTRALIA	X1		40-71	NO	NO	2200u25	NO	NO	E70-0123-05	2.7K	NO
EUROPE	E		42-70	YES	NO	3300u25	YES	YES	E70-0123-05	6.8K	10K
SHANGHAI	V		92-10	NO	NO	2200u25	NO	NO	E70-0053-05	6.8K	100

RXD-M55-H (X29-284X-XX)

DESTINATION	COUNTRY	ABB.	UNIT No.	(A)	(B)	C25	C720	D10, 11	J1	R709	R739
U.S.A.	K1		0-11	NO	NO	2200u25	NO	NO	E70-0155-05	18K	NO
GENERAL MARKET	M1		0-21	YES	NO	3300u25	YES	YES	E70-0123-05	6.8K	10K
EUROPE	E1		2-70	NO	YES	2200u25	NO	NO	E70-0123-05	220K	NO
U.K.	T2		2-70	NO	YES	2200u25	NO	NO	E70-0123-05	220K	NO
KOREA	H1		2-70	NO	YES	2200u25	NO	NO	E70-0123-05	220K	NO

RXD-M55-N (X29-284X-XX)

DESTINATION	COUNTRY	ABB.	UNIT No.	(A)	(B)	C25	C720	D10, 11	J1	R709	R739
AUSTRALIA	X2		0-71	NO	NO	2200u25	NO	NO	2.7K	NO	NO
GENERAL MARKET	M2		0-21	YES	NO	3300u25	YES	YES	6.8K	10K	NO
EUROPE	E2		2-70	NO	YES	2200u25	NO	NO	E70-0123-05	220K	NO
U.K.	T3		2-70	NO	YES	2200u25	NO	NO	E70-0123-05	220K	NO
KOREA	H2		2-70	NO	YES	2200u25	NO	NO	E70-0123-05	220K	NO

RXD-M55E-S (X29-2842-70)

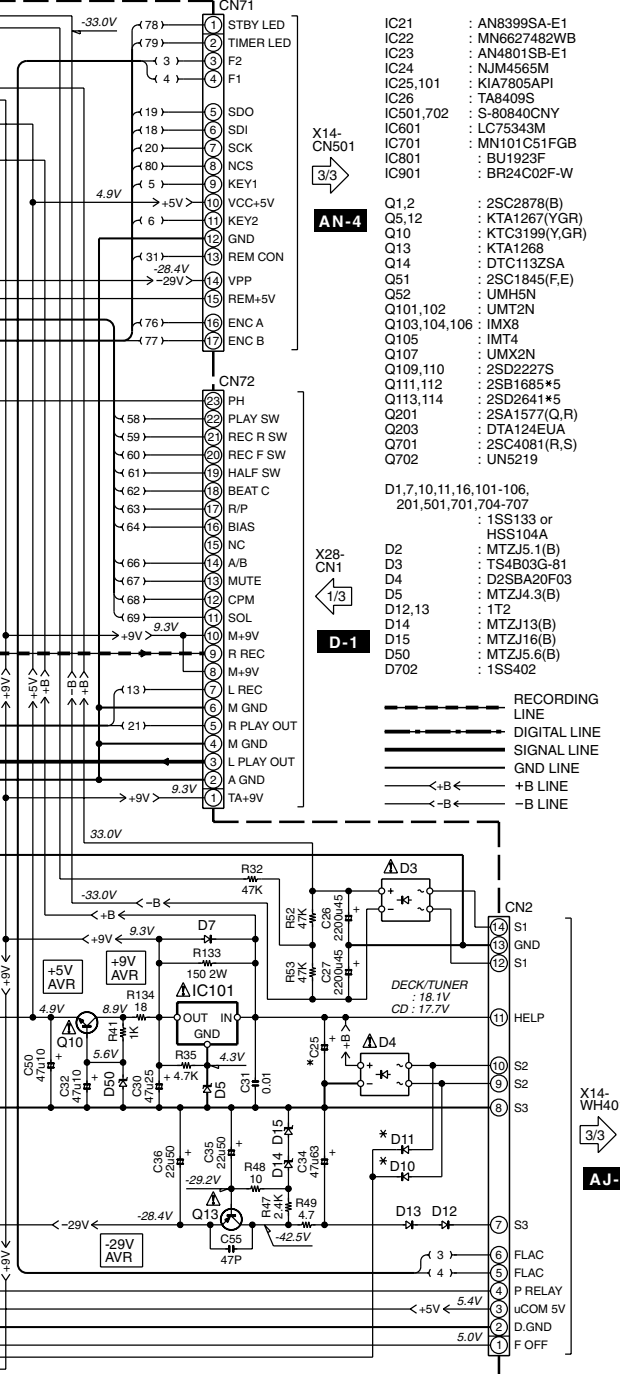
DESTINATION	COUNTRY	ABB.	UNIT No.	(A)	(B)	C25	C720	D10, 11	J1	R709	R739
EUROPE	E3		2-70	NO	YES	2200u25	NO	NO	E70-0123-05	220K	NO

RXD-M55E-H (X29-2842-70)

DESTINATION	COUNTRY	ABB.	UNIT No.	(A)	(B)	C25	C720	D10, 11	J1	R709	R739
EUROPE	E4		2-70	NO	YES	2200u25	NO	NO	E70-0123-05	220K	NO

RXD-M55E-N (X29-2842-70)

DESTINATION	COUNTRY	ABB.	UNIT No.	(A)	(B)	C25	C720	D10, 11	J1	R709	R739
EUROPE	E5		2-70	NO	YES	2200u25	NO	NO	E70-0123-05	220K	NO



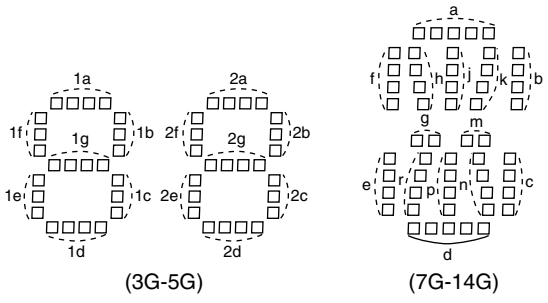
IC21 : AN8399SA-E1
IC22 : MN6627482WB
IC23 : AN4801SB-E1
IC24 : NJM4558M
IC25,101 : KIA7805AP1
IC26 : TA8409S
IC501,702 : S-80840CNY
IC601 : LC75343M
IC701 : MN101C51FGB
IC801 : BU1923F
IC901 : BR24C02F-W

Q1,2 : 2SC2878(B)
Q5,12 : KTA1267(YGR)
Q10 : KTC3199(Y,GR)
Q13 : KTA1268
Q14 : DTC113ZSA
Q51 : 2SC1845(F,E)
Q52 : UMH5N
Q101,102 : UMT2N
Q103,104,106 : IMX8
Q105 : IMT4
Q107 : UMX2N
Q109,110 : 2SD2227S
Q111,112 : 2SB1685*5
Q113,114 : 2SD2641*5
Q201 : 2SA1577(Q,R)
Q203 : DTA124EUA
Q701 : 2SC4081(R,S)
Q702 : UN5219

D1,7,10,11,16,101-106, 201,501,701,704-707 : 1SS133 or HSS104A
D2 : MTZJ5.1(B)
D3 : TS4B03G-81
D4 : D2SBA20F03
D5 : MTZJ4.3(B)
D12,13 : 1T2
D14 : MTZJ13(B)
D15 : MTZJ16(B)
D50 : MTZJ5.6(B)
D702 : 1SS402

CAUTION: For continued safety, replace safety critical components only with manufacturer's recommended parts (refer to parts list). Δ indicates safety critical components. For continued protection against risk of fire, replace only with same type and rating fuse(s). To reduce the risk of electric shock, leakage-current or resistance measurements shall be carried out (exposed parts are acceptably insulated from the supply circuit) before the appliance is returned to the customer.

The DC voltage is an actual reading measured with a high impedance type voltmeter with no signal input. The measurement value may vary depending on the measuring instruments used or on the product.



ANODE CONNECTION table with columns for P1-P14 and rows for 1G-7G-14G.

RXD-M55-S (X14-7XXX-XX)

Specification table for RXD-M55-S including destination, unit number, and component values.

RXD-M55-H (X14-749X-XX)

Specification table for RXD-M55-H including destination, unit number, and component values.

RXD-M55-N (X14-749X-XX)

Specification table for RXD-M55-N including destination, unit number, and component values.

RXD-M55E-S (X14-7492-70)

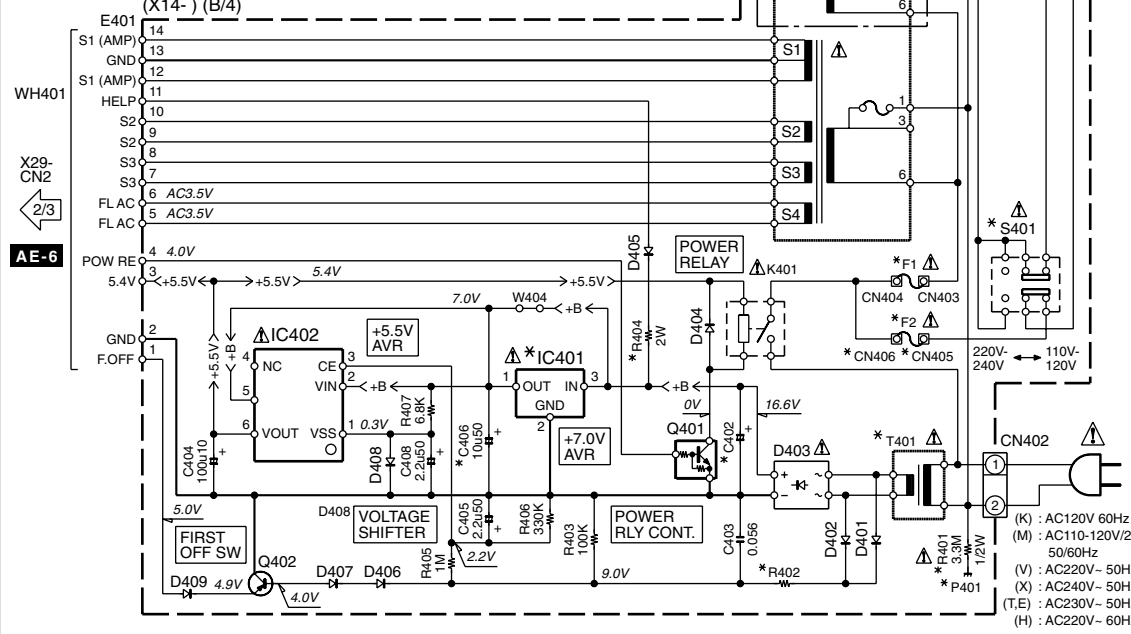
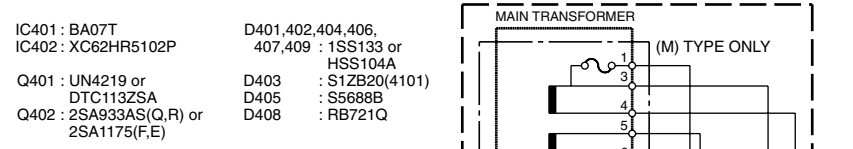
Specification table for RXD-M55E-S including destination, unit number, and component values.

RXD-M55E-H (X14-7492-70)

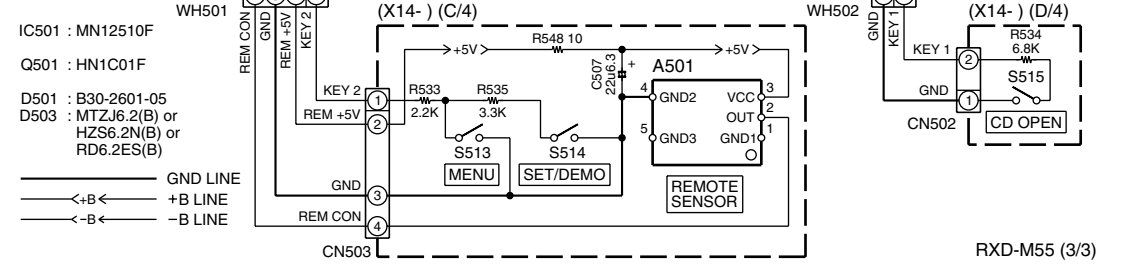
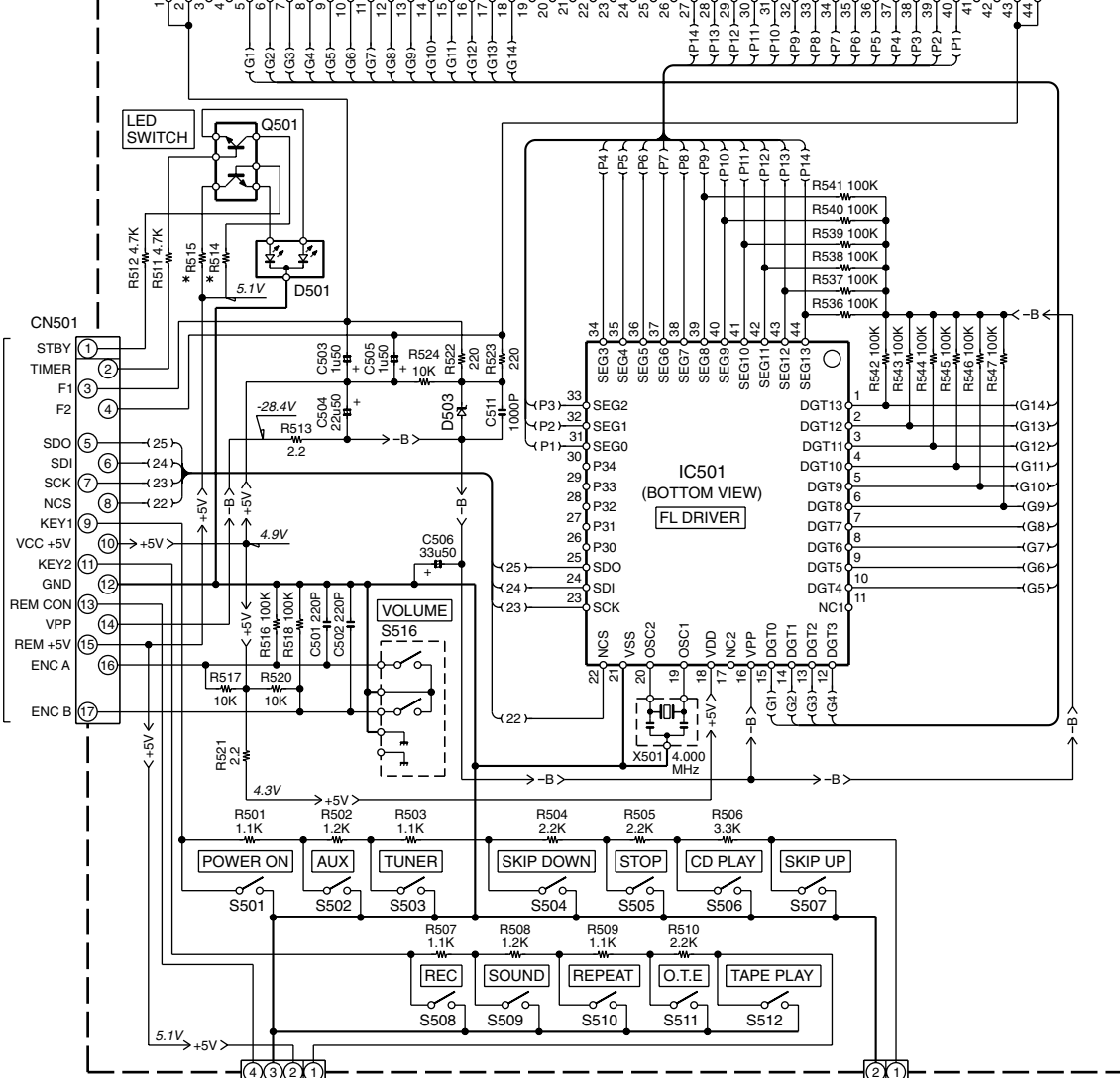
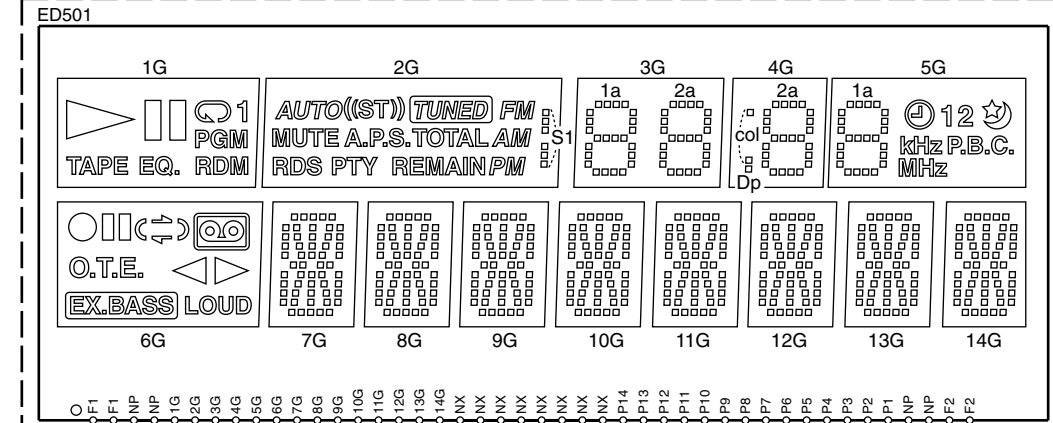
Specification table for RXD-M55E-H including destination, unit number, and component values.

RXD-M55E-N (X14-7492-70)

Specification table for RXD-M55E-N including destination, unit number, and component values.



(X14-7XXX-XX) (A/4)



CAUTION: For continued safety, replace safety critical components only with manufacturer's recommended parts...

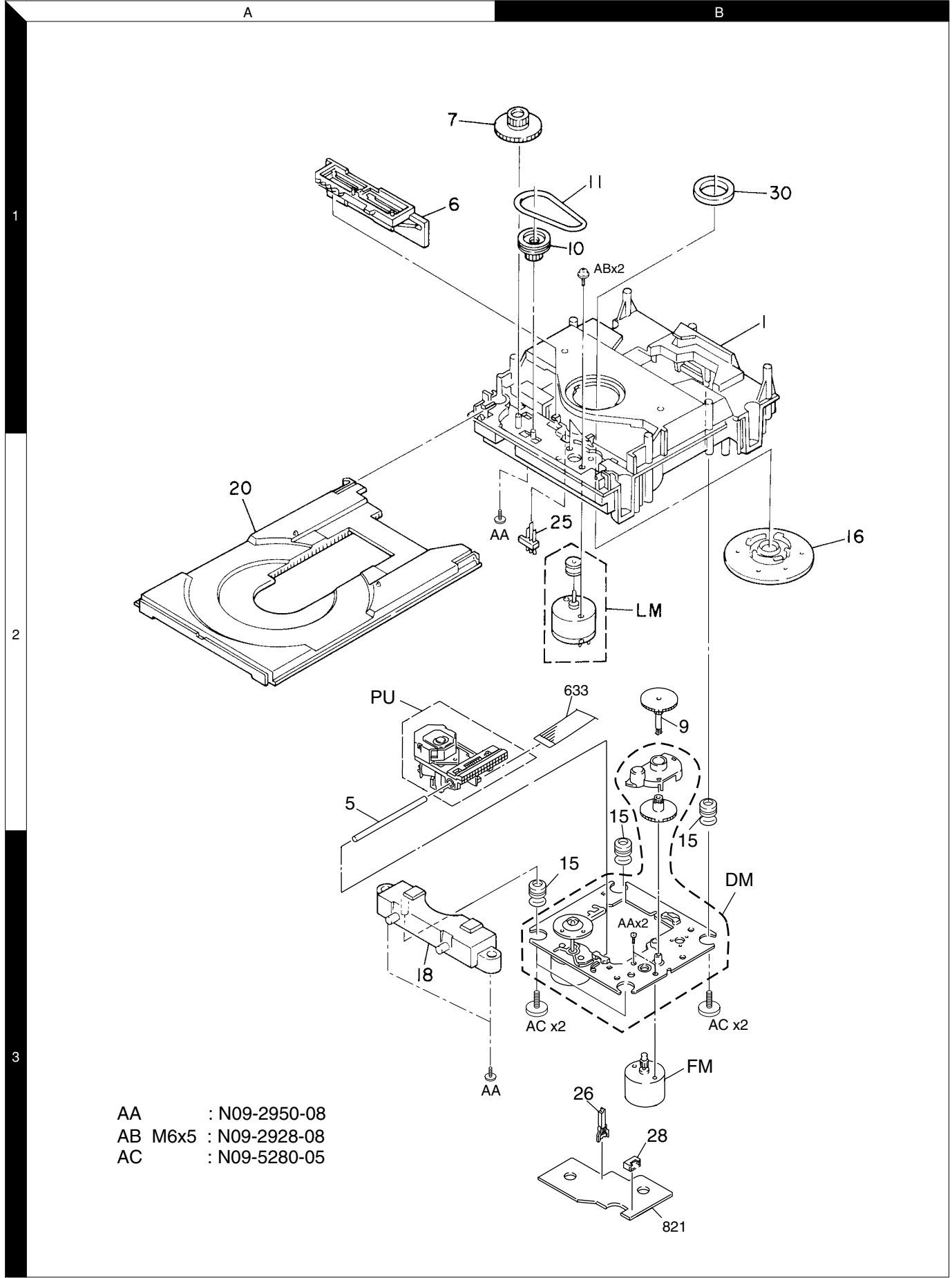
The DC voltage is an actual reading measured with a high impedance type voltmeter with no signal input...

RXD-M55-H/M55-N/M55-S/M55E-H/M55E-N/M55E-S

Y39-4252-70

KENWOOD

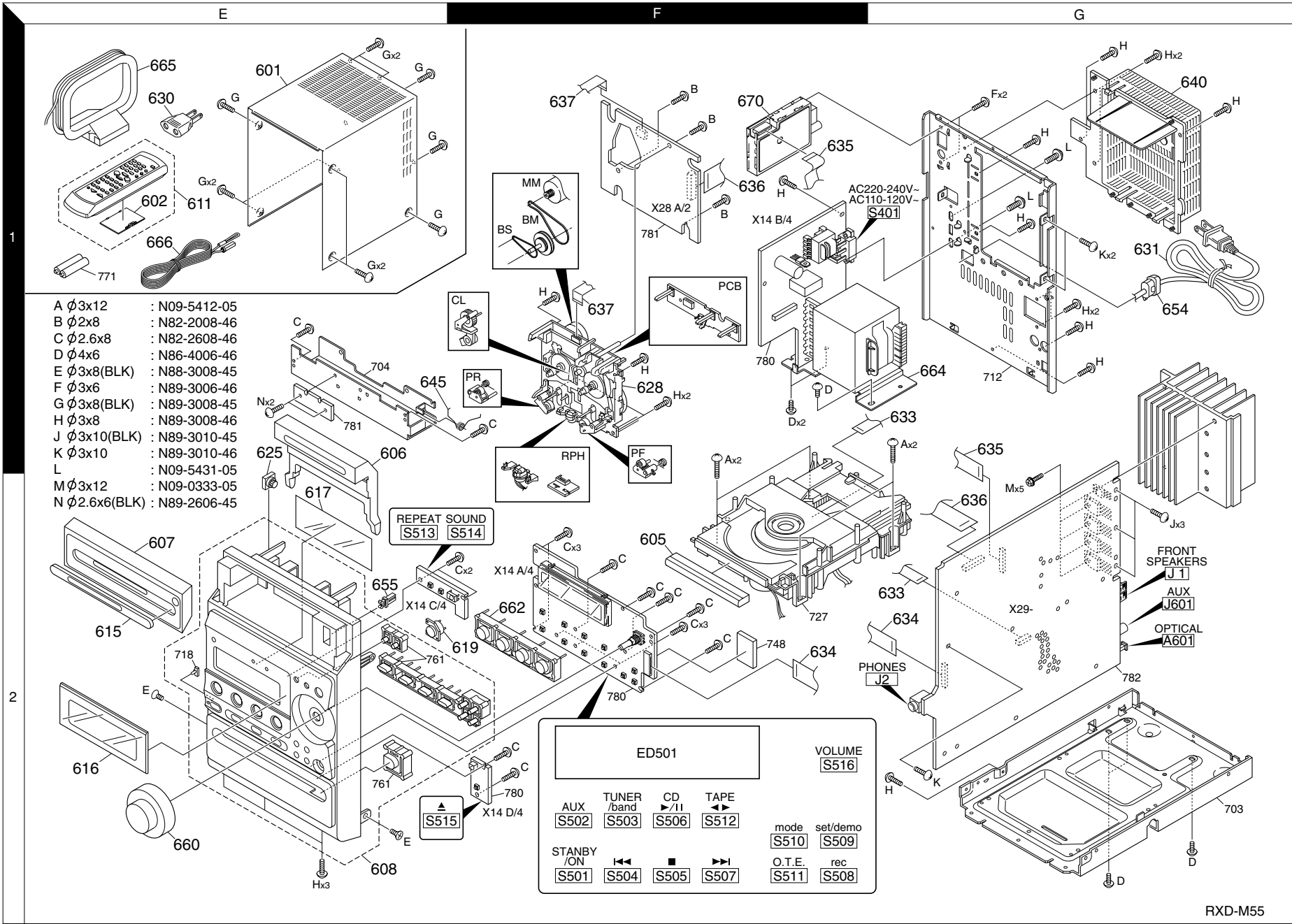
EXPLODED VIEW(CD MECHANISM)



- AA : N09-2950-08
- AB M6x5 : N09-2928-08
- AC : N09-5280-05

Parts with exploded numbers larger than 700 are not supplied.

EXPLODED VIEW (UNIT)



- A ϕ 3x12 : N09-5412-05
- B ϕ 2x8 : N82-2008-46
- C ϕ 2.6x8 : N82-2608-46
- D ϕ 4x6 : N86-4006-46
- E ϕ 3x8(BLK) : N88-3008-45
- F ϕ 3x6 : N89-3006-46
- G ϕ 3x8(BLK) : N89-3008-45
- H ϕ 3x8 : N89-3008-46
- J ϕ 3x10(BLK) : N89-3010-45
- K ϕ 3x10 : N89-3010-46
- L : N09-5431-05
- M ϕ 3x12 : N09-0333-05
- N ϕ 2.6x6(BLK) : N89-2606-45

ED501				VOLUME	
AUX	TUNER	CD	TAPE		
S502	/band	/11	S512		
	S503	S506			
				mode	set/demo
				S510	S509
STANBY	◀▶		■	O.T.E.	rec
/ON	S504	S505	S507	S511	S508

Parts with exploded numbers larger than 700 are not supplied.

* New Parts

Parts without **Parts No.** are not supplied.Les articles non mentionnés dans le **Parts No.** ne sont pas fournis.Teile ohne **Parts No.** werden nicht geliefert.

①

Ref. No	Address	New Parts	Parts No.	Description	Destination	Remarks
RXD-M55/M55E						
601	1E	*	A01-3852-01	METALLIC CABINET	EE1E3	
601	1E	*	A01-3852-01	METALLIC CABINET	E4T2M1	
601	1E	*	A01-3852-01	METALLIC CABINET	H1VKK1	
601	1E	*	A01-3852-01	METALLIC CABINET	X1	
601	1E	*	A01-3853-01	METALLIC CABINET	E2E5T3	
601	1E	*	A01-3853-01	METALLIC CABINET	M2H2X2	
602	1E	*	A09-1261-08	BATTERY COVER		
605	2F	*	A29-1171-03	PANEL	EE1E3	
605	2F	*	A29-1171-03	PANEL	E4T2M1	
605	2F	*	A29-1171-03	PANEL	H1VKK1	
605	2F	*	A29-1171-03	PANEL	X1	
605	2F	*	A29-1172-03	PANEL	E2E5T3	
605	2F	*	A29-1172-03	PANEL	M2H2X2	
606	2E	*	A53-2298-02	CASSETTE HOLDER		
607	2E	*	A53-2313-03	CASSETTE LID	EE1E3	
607	2E	*	A53-2313-03	CASSETTE LID	E4T2M1	
607	2E	*	A53-2313-03	CASSETTE LID	H1VKK1	
607	2E	*	A53-2313-03	CASSETTE LID	X1	
607	2E	*	A53-2314-03	CASSETTE LID	E2E5T3	
607	2E	*	A53-2314-03	CASSETTE LID	M2H2X2	
608	2E	*	A60-2266-08	PANEL ASSY	EE1E3	
608	2E	*	A60-2266-08	PANEL ASSY	E4T2H1	
608	2E	*	A60-2267-08	PANEL ASSY	E2E5T3	
608	2E	*	A60-2267-08	PANEL ASSY	H2	
608	2E	*	A60-2268-08	PANEL ASSY	M1VX1	
608	2E	*	A60-2269-08	PANEL ASSY	M2X2	
608	2E	*	A60-2270-08	PANEL ASSY	KK1	
611	1E	*	A70-1568-05	REMOTE CONTROLLER ASSY	EE1E2	
611	1E	*	A70-1568-05	REMOTE CONTROLLER ASSY	E3E4E5	
611	1E	*	A70-1568-05	REMOTE CONTROLLER ASSY	H2	
611	1E	*	A70-1568-05	REMOTE CONTROLLER ASSY	T2T3H1	
611	1E	*	A70-1569-05	REMOTE CONTROLLER ASSY	KK1	
611	1E	*	A70-1569-05	REMOTE CONTROLLER ASSY	M1M2V	
611	1E	*	A70-1569-05	REMOTE CONTROLLER ASSY	X1X2	
615	2E	*	B10-3816-03	FRONT GLASS	EE3V	
615	2E	*	B10-3816-03	FRONT GLASS	KX1	
615	2E	*	B10-3817-03	FRONT GLASS	E1E4T2	
615	2E	*	B10-3817-03	FRONT GLASS	M1H1K1	
615	2E	*	B10-3818-03	FRONT GLASS	E2E5T3	
615	2E	*	B10-3818-03	FRONT GLASS	M2H2X2	
616	2E	*	B10-3819-03	FRONT GLASS	EE3KX1	
616	2E	*	B10-3819-03	FRONT GLASS	V	
616	2E	*	B10-3820-03	FRONT GLASS	E1E4T2	
616	2E	*	B10-3820-03	FRONT GLASS	M1H1K1	
616	2E	*	B10-3821-03	FRONT GLASS	E2E5T3	
616	2E	*	B10-3821-03	FRONT GLASS	M2H2X2	
617	2E	*	B11-1549-04	COLOR FILTER		
618	2E	*	B12-0461-04	INDICATOR		
619	2E	*	B19-1639-04	LIGHTING BOARD		
-		*	B60-5240-00	INSTRUCTION MANUAL(EN)	E3E4E5	
-		*	B60-5240-00	INSTRUCTION MANUAL(EN)	KK1	
-		*	B60-5240-00	INSTRUCTION MANUAL(EN)	M2H1H2	
-		*	B60-5240-00	INSTRUCTION MANUAL(EN)	T2T3M1	

L : Scandinavia K : USA P : Canada R : Mexico C : China I : Malaysia

Y : PX(Far East,Hawaii) T : England E : Europe G : Germany V : China(Shanghai)

Y : AAFES(Europe) X : Australia Q : Russia H : Korea M : Other Areas Δ indicates safety critical components .

* New Parts

Parts without **Parts No.** are not supplied.Les articles non mentionnés dans le **Parts No.** ne sont pas fournis.Teile ohne **Parts No.** werden nicht geliefert.

②

Ref. No	Address	New Parts	Parts No.	Description	Destination	Remarks
-		*	B60-5240-00	INSTRUCTION MANUAL(EN)	X1X2	
-		*	B60-5241-00	"INSTRUCTION MANUAL(F,G,N,I,E)	EE1E2	
-		*	B60-5242-00	"INSTRUCTION MANUAL(R,P,C,H)	E3E4E5	
-		*	B60-5243-00	INSTRUCTION MANUAL(NE/SP)	M1M2	
-		*	B60-5244-00	INSTRUCTION MANUAL(AR/TC)	M1M2	
-		*	B60-5245-00	INSTRUCTION MANUAL(SC)	V	
625	2E	*	D39-0353-05	DAMPER		
628	1F	*	D40-1772-05	CASSETTE MECHANISM ASSY		
Δ 630	1E	*	E03-0115-05	AC PLUG ADAPTER	M1M2	
Δ 631	1G	*	E30-2717-05	AC POWER CORD	X1X2	
Δ 631	1G	*	E30-2824-15	AC POWER CORD	V	
Δ 631	1G	*	E30-2829-05	AC POWER CORD	T2T3	
Δ 631	1G	*	E30-2941-05	AC POWER CORD	KK1	
Δ 631	1G	*	E30-2942-05	AC POWER CORD	EE1E2	
Δ 631	1G	*	E30-2942-05	AC POWER CORD	E3E4E5	
Δ 631	1G	*	E30-2942-05	AC POWER CORD	M1M2	
Δ 631	1G	*	E30-2950-05	AC POWER CORD	H1H2	
633	1G,2G	*	E35-2926-25	FLAT CABLE CD	EE1E2	
633	1G,2G	*	E35-2926-25	FLAT CABLE CD	E3E4E5	
633	1G,2G	*	E35-2926-25	FLAT CABLE CD	KK1	
633	1G,2G	*	E35-2926-25	FLAT CABLE CD	M2H1H2	
633	1G,2G	*	E35-2926-25	FLAT CABLE CD	T2T3M1	
633	1G,2G	*	E35-2926-25	FLAT CABLE CD	X1X2	
633	1G,2G	*	E35-3005-15	FLAT CABLE CD	V	
634	2F,2G	*	E35-3225-05	FLAT CABLE 17P,DISPLAY	EE1E2	
634	2F,2G	*	E35-3225-05	FLAT CABLE 17P,DISPLAY	E3E4E5	
634	2F,2G	*	E35-3225-05	FLAT CABLE 17P,DISPLAY	KK1	
634	2F,2G	*	E35-3225-05	FLAT CABLE 17P,DISPLAY	M2H1H2	
634	2F,2G	*	E35-3225-05	FLAT CABLE 17P,DISPLAY	T2T3M1	
634	2F,2G	*	E35-3225-05	FLAT CABLE 17P,DISPLAY	X1X2	
634	2F,2G	*	E35-3287-05	FLAT CABLE	V	
635	1F,1G	*	E35-3226-05	FLAT CABLE 11P,TUNER	EE1E2	
635	1F,1G	*	E35-3226-05	FLAT CABLE 11P,TUNER	E3E4E5	
635	1F,1G	*	E35-3226-05	FLAT CABLE 11P,TUNER	KK1	
635	1F,1G	*	E35-3226-05	FLAT CABLE 11P,TUNER	M2H1H2	
635	1F,1G	*	E35-3226-05	FLAT CABLE 11P,TUNER	T2T3M1	
635	1F,1G	*	E35-3226-05	FLAT CABLE 11P,TUNER	X1X2	
635	1F,1G	*	E35-3288-05	FLAT CABLE 11P,TUNER	V	
636	1F,2G	*	E35-3228-05	FLAT CABLE 23P,DECK	EE1E2	
636	1F,2G	*	E35-3228-05	FLAT CABLE 23P,DECK	E3E4E5	
636	1F,2G	*	E35-3228-05	FLAT CABLE 23P,DECK	KK1	
636	1F,2G	*	E35-3228-05	FLAT CABLE 23P,DECK	M2H1H2	
636	1F,2G	*	E35-3228-05	FLAT CABLE 23P,DECK	T2T3M1	
636	1F,2G	*	E35-3228-05	FLAT CABLE 23P,DECK	X1X2	
636	1F,2G	*	E35-3289-05	FLAT CABLE 23P,DECK	V	
637	1F	*	E35-3229-05	FLAT CABLE 8P,DECK	EE1E2	
637	1F	*	E35-3229-05	FLAT CABLE 8P,DECK	E3E4E5	
637	1F	*	E35-3229-05	FLAT CABLE 8P,DECK	KK1	
637	1F	*	E35-3229-05	FLAT CABLE 8P,DECK	M2H1H2	
637	1F	*	E35-3229-05	FLAT CABLE 8P,DECK	T2T3M1	
637	1F	*	E35-3229-05	FLAT CABLE 8P,DECK	X1X2	
637	1F	*	E35-3290-05	FLAT CABLE 8P,DECK	V	
640	1G	*	F07-1766-02	COVER		

L : Scandinavia K : USA P : Canada R : Mexico C : China I : Malaysia

Y : PX(Far East,Hawaii) T : England E : Europe G : Germany V : China(Shanghai)

Y : AAFES(Europe) X : Australia Q : Russia H : Korea M : Other Areas Δ indicates safety critical components .

* New Parts

Parts without **Parts No.** are not supplied.
Les articles non mentionnés dans le **Parts No.** ne sont pas fournis.
Teile ohne **Parts No.** werden nicht geliefert.

③

Ref. No	Address	New Parts	Parts No.	Description	Destination	Remarks
645	1E	*	G01-4303-04	TORSION COIL SPRING		
-		*	H10-7802-02	POLYSTYRENE FOAMED FIXTURE	KK1	
-		*	H10-7802-02	POLYSTYRENE FOAMED FIXTURE	X1X2	
-		*	H10-7803-02	POLYSTYRENE FOAMED FIXTURE	KK1	
-		*	H10-7803-02	POLYSTYRENE FOAMED FIXTURE	X1X2	
-		*	H10-7814-02	POLYSTYRENE FOAMED FIXTURE	EE12E	
-		*	H10-7814-02	POLYSTYRENE FOAMED FIXTURE	E3E4E5	
-		*	H10-7814-02	POLYSTYRENE FOAMED FIXTURE	M2H1H2	
-		*	H10-7814-02	POLYSTYRENE FOAMED FIXTURE	T2T3M1	
-		*	H10-7815-02	POLYSTYRENE FOAMED FIXTURE	EE1E2	
-		*	H10-7815-02	POLYSTYRENE FOAMED FIXTURE	E3E4E5	
-		*	H10-7815-02	POLYSTYRENE FOAMED FIXTURE	M2H1H2	
-		*	H10-7815-02	POLYSTYRENE FOAMED FIXTURE	T2T3M1	
-		*	H10-7847-02	POLYSTYRENE FOAMED FIXTURE	V	
-		*	H10-7848-02	POLYSTYRENE FOAMED FIXTURE	V	
-		*	H12-3541-14	PACKING FIXTURE	KK1	
-			H12-3541-14	PROTECTION BAG	X1X2	
-			H25-1642-04	PROTECTION BAG		
-			H25-1694-04	PROTECTION BAG	EE1E2	
-			H25-1694-04	PROTECTION BAG	E3E4E5	
-			H25-1694-04	PROTECTION BAG	H2VKK1	
-			H25-1694-04	PROTECTION BAG	T2T3H1	
-			H25-1694-04	PROTECTION BAG	X1X2	
-			H25-1711-04	PROTECTION BAG	M1M2	
-		*	H25-1743-04	PROTECTION BAG	T2T3	
-		*	H25-1743-04	PROTECTION BAG	X1X2	
-		*	H50-4537-04	ITEM CARTON CASE	E	
-		*	H50-4538-04	ITEM CARTON CASE	E1	
-		*	H50-4539-04	ITEM CARTON CASE	E2	
-		*	H50-4541-04	ITEM CARTON CASE	T2	
-		*	H50-4542-04	ITEM CARTON CASE	T3	
-		*	H50-4543-04	ITEM CARTON CASE	E3	
-		*	H50-4544-04	ITEM CARTON CASE	E4	
-		*	H50-4545-04	ITEM CARTON CASE	E5	
-		*	H50-4546-04	ITEM CARTON CASE	M1H1	
-		*	H50-4547-04	ITEM CARTON CASE	M2H2	
△ 654	1G		J42-0083-05	POWER CORD BUSHING	V	
△ 654	1G		J42-0349-05	POWER CORD BUSHING	EE1E2	
△ 654	1G		J42-0349-05	POWER CORD BUSHING	E3E4E5	
△ 654	1G		J42-0349-05	POWER CORD BUSHING	KK1	
△ 654	1G		J42-0349-05	POWER CORD BUSHING	M2H1H2	
△ 654	1G		J42-0349-05	POWER CORD BUSHING	T2T3M1	
△ 654	1G		J42-0349-05	POWER CORD BUSHING	X1X2	
655	2E		J52-0039-05	PUSH LATCH		
-			J61-0307-05	WIRE BAND		
660	2E	*	K29-8129-04	KNOB	EE1E3	
660	2E	*	K29-8129-04	KNOB	E4T2M1	
660	2E	*	K29-8129-04	KNOB	H1VX1	
660	2E	*	K29-8129-04	KNOB	KK1	
660	2E	*	K29-8142-04	KNOB	E2E5T3	
660	2E	*	K29-8142-04	KNOB	M2H2X2	
662		*	K29-8140-03	KNOB	EE1E3	
662		*	K29-8140-03	KNOB	E4T2M1	
662		*	K29-8140-03	KNOB	H1VKK1	

L: Scandinavia K: USA P: Canada R: Mexico C: China I: Malaysia
Y: PX(Far East,Hawaii) T: England E: Europe G: Germany V: China(Shanghai)
Y: AAFES(Europe) X: Australia Q: Russia H: Korea M: Other Areas △ indicates safety critical components .

* New Parts

Parts without **Parts No.** are not supplied.
Les articles non mentionnés dans le **Parts No.** ne sont pas fournis.
Teile ohne **Parts No.** werden nicht geliefert.

④

Ref. No	Address	New Parts	Parts No.	Description	Destination	Remarks
662		*	K29-8140-03	KNOB	X1	
662		*	K29-8141-03	KNOB	E2E5T3	
662		*	K29-8141-03	KNOB	M2H2X2	
△ 664	1G	*	L07-3182-05	POWER TRANSFORMER	KK1	
△ 664	1G	*	L07-3183-05	POWER TRANSFORMER	EE1E2	
△ 664	1G	*	L07-3183-05	POWER TRANSFORMER	E3E4E5	
△ 664	1G	*	L07-3183-05	POWER TRANSFORMER	H2	
△ 664	1G	*	L07-3183-05	POWER TRANSFORMER	T2T3H1	
△ 664	1G	*	L07-3184-05	POWER TRANSFORMER	M1M2	
△ 664	1G	*	L07-3186-05	POWER TRANSFORMER	X1X2	
△ 664	1G	*	L07-3187-05	POWER TRANSFORMER	V	
665	1E		T90-0852-05	LOOP ANTENNA	V	
665	1E	*	T90-0893-05	LOOP ANTENNA	EE1E2	
665	1E	*	T90-0893-05	LOOP ANTENNA	E3E4E5	
665	1E	*	T90-0893-05	LOOP ANTENNA	KK1	
665	1E	*	T90-0893-05	LOOP ANTENNA	M2H1H2	
665	1E	*	T90-0893-05	LOOP ANTENNA	T2T3M1	
665	1E	*	T90-0893-05	LOOP ANTENNA	X1X2	
666	1E	*	T90-0893-05	LOOP ANTENNA	V	
666	1E	*	T90-0855-05	LEAD WIRE ANTENNA	EE1E2	
666	1E	*	T90-0877-05	LEAD WIRE ANTENNA	E3E4E5	
666	1E	*	T90-0877-05	LEAD WIRE ANTENNA	KK1	
666	1E	*	T90-0877-05	LEAD WIRE ANTENNA	M2H1H2	
666	1E	*	T90-0877-05	LEAD WIRE ANTENNA	T2T3M1	
666	1E	*	T90-0877-05	LEAD WIRE ANTENNA	X1X2	
670	1F	*	W02-2919-05	TUNER ASSY	KK1X1	
670	1F	*	W02-2919-05	TUNER ASSY	M1M2V	
670	1F	*	W02-2919-05	TUNER ASSY	X2	
670	1F	*	W02-2920-05	TUNER ASSY	EE1E2	
670	1F	*	W02-2920-05	TUNER ASSY	E3E4E5	
670	1F	*	W02-2920-05	TUNER ASSY	H2	
670	1F	*	W02-2920-05	TUNER ASSY	T2T3H1	
CD MECHANISM (D40-1515-05/D40-1714-15)						
1	1B		A10-3554-08	LOADING CHS	LCHSM0127AWZZ	
5	2A		D10-3606-08	ROD		
6	1A		D13-2557-08	RACK GEAR	NGERR0005AWZZ	
7	1A		D13-2558-08	TRAY GEAR	NGERH0146AWZZ	
9	2B		D13-1720-08	DRIVING GEAR		
10	1B		D15-0444-08	DRIVE PULLEY	NPLYR0010AWZZ	
11	1B		D16-0770-08	DRIVE BELT	NBLTK0040AWZZ	
15	2B,3B		J02-1511-05	INSULATOR		
16	2B		J11-0868-08	CLAMPER	LHLDM1015AWZZ	
18	3A		J19-6221-08	MEC HOLDER	LHLDD21341AWZZ	
20	2A		J99-0831-08	DISC HOLDER	GCOVA1386AWSA	
25	2B		S74-0080-08	LEAF SWITCH	SWICHL1749A	
26	3B		S74-0038-08	LEAF SWITCH		
28	3B		E40-3264-05	CONNECTOR		
30	1B		T99-0609-08	MAGNET	PMAGF0001AWZZ	
DM	3B		A11-1082-18	MOTOR CHS ASSY	DISC	
FM	3B		T42-0817-08	MOTOR ASSY	FEED	
LM	2B		T42-1113-08	MOTOR ASSY	TRAY	
△ PU	2A		T25-0061-08	PICKUP ASSY	KSS-213C	

L: Scandinavia K: USA P: Canada R: Mexico C: China I: Malaysia
Y: PX(Far East,Hawaii) T: England E: Europe G: Germany V: China(Shanghai)
Y: AAFES(Europe) X: Australia Q: Russia H: Korea M: Other Areas △ indicates safety critical components .

PARTS LIST

RXD-M55-H/M55-N/M55-S/M55-E-H/M55-E-N/M55-E-S

* New Parts

Parts without **Parts No.** are not supplied.

Les articles non mentionnés dans le **Parts No.** ne sont pas fournis.

Teile ohne **Parts No.** werden nicht geliefert.

7

Ref. No	Address	New Parts	Parts No.	Description	Destination	Remarks
Q401			DTC113ZSA	DIGITAL TRANSISTOR		
Q401			UN4219	DIGITAL TRANSISTOR		
Q402			2SA1175(F,E)	TRANSISTOR		
Q402			2SA933AS(Q,R)	TRANSISTOR		
Q501			HN1C01F	DUAL TRANSISTOR		
A501		*	W02-2939-05	ELECTRIC CIRCUIT MODULE		
REC/PLAY (X28-3200-11)						
C1 ,2			CC73GCH1H471J	CHIP C	470PF	J
C5 ,6			CQ93FMG1H103J	MYLAR	0.010UF	J
C7 ,8			CQ93FMG1H393J	MYLAR	0.039UF	J
C9 ,10			CC73GCH1H101J	CHIP C	100PF	J
C9 ,10			CC73GCH1H101J	CHIP C	100PF	J
C9 ,10			CC73GCH1H101J	CHIP C	100PF	J
C11 ,12			CE04LW1H4R7M	ELECTRO	4.7UF	50WV
C13 ,14			CK73GB1H472K	CHIP C	4700PF	K
C15 ,16			CE04LW1H100M	ELECTRO	10UF	50WV
C17 ,18			CE04LW1HR22M	ELECTRO	0.22UF	50WV
C19 ,20			CE04LW1H4R7M	ELECTRO	4.7UF	50WV
C21 ,22			CE04LW1H100M	ELECTRO	10UF	50WV
C23 ,24			CC73GCH1H221J	CHIP C	220PF	J
C25 ,26			CC45FSL1H221J	CERAMIC	220PF	J
C31			CE04PW1A101M	ELECTRO	100UF	10WV
C32			CE04PW1E470M	ELECTRO	47UF	25WV
C33			CE04PW1H4R7M	ELECTRO	4.7UF	50WV
C35			CE04PW1H010M	ELECTRO	1UF	50WV
C51			CE04PW1H010M	ELECTRO	1UF	50WV
C52			CE04PW1H100M	ELECTRO	10UF	50WV
C53			CQ93FMG1H103J	MYLAR	0.010UF	J
C54 ,55			CQ93FMG1H822J	MYLAR	8200PF	J
C56			CQ93FMG1H223J	MYLAR	0.022UF	J
C57			CQ93HP2A682J	MYLAR	6800PF	J
C58			CE04PW1E470M	ELECTRO	47UF	25WV
C59 ,60			CK45FB1H102K	CERAMIC	1000PF	K
C59 ,60			CK45FB1H102K	CERAMIC	1000PF	K
C59 ,60			CK45FB1H102K	CERAMIC	1000PF	K
CN1			E40-4910-05	FLAT CABLE CONNECTOR		
CN2			E40-4933-05	FLAT CABLE CONNECTOR		
E1			J11-0809-05	WIRE CLAMPER		
L1 ,2			L40-1035-20	SMALL FIXED INDUCTOR(10MH,J)		
L3			L32-1041-05	BIAS OSCILATING COIL		
L4			L40-1001-82	SMALL FIXED INDUCTOR(10UH)		
R1 ,2			RK73GB1J104J	CHIP R	100K	J 1/16W
R5 ,6			RK73GB1J512J	CHIP R	5.1K	J 1/16W
R7 ,8			RK73GB1J822J	CHIP R	8.2K	J 1/16W
R9 ,10			RK73GB1J103J	CHIP R	10K	J 1/16W
R11 ,12			RK73GB1J102J	CHIP R	1.0K	J 1/16W
R13 ,14			RK73GB1J472J	CHIP R	4.7K	J 1/16W
R15 ,16			RK73GB1J202J	CHIP R	2.0K	J 1/16W
R17 ,18			RK73GB1J432J	CHIP R	4.3K	J 1/16W
R19 ,20			RK73GB1J103J	CHIP R	10K	J 1/16W
R21 -24			RK73GB1J153J	CHIP R	15K	J 1/16W
R25 -28			RK73GB1J105J	CHIP R	1.0M	J 1/16W

L: Scandinavia K: USA P: Canada R: Mexico C: China I: Malaysia
 Y: PX(Far East,Hawaii) T: England E: Europe G: Germany V: China(Shanghai)
 Y: AAFES(Europe) X: Australia Q: Russia H: Korea M: Other Areas Δ indicates safety critical components.

* New Parts

Parts without **Parts No.** are not supplied.

Les articles non mentionnés dans le **Parts No.** ne sont pas fournis.

Teile ohne **Parts No.** werden nicht geliefert.

8

Ref. No	Address	New Parts	Parts No.	Description	Destination	Remarks
R31			RD14NB2E4R7J	RD	4.7	J 1/4W
R32			RK73GB1J223J	CHIP R	22K	J 1/16W
R33			RK73GB1J103J	CHIP R	10K	J 1/16W
R34			RK73GB1J101J	CHIP R	100	J 1/16W
R36			RK73GB1J103J	CHIP R	10K	J 1/16W
R37			RK73GB1J473J	CHIP R	47K	J 1/16W
R38			RK73GB1J182J	CHIP R	1.8K	J 1/16W
R39			RK73GB1J473J	CHIP R	47K	J 1/16W
R40			RK73GB1J182J	CHIP R	1.8K	J 1/16W
R51			RD14NB2E1R0J	RD	1	J 1/4W
R52			RK73GB1J103J	CHIP R	10K	J 1/16W
R54			RD14NB2E100J	RD	10	J 1/4W
R55			RK73GB1J472J	CHIP R	4.7K	J 1/16W
R56			RK73GB1J183J	CHIP R	18K	J 1/16W
R57 ,58			RK73GB1J562J	CHIP R	5.6K	J 1/16W
R61 ,62			RK73GB1J562J	CHIP R	5.6K	J 1/16W
R61 ,62			RK73GB1J562J	CHIP R	5.6K	J 1/16W
R61 ,62			RK73GB1J562J	CHIP R	5.6K	J 1/16W
VR1 ,2			R12-6013-05	TRIMMING POT.(330K)		
W50			R92-0670-05	CHIP R	0 OHM	
D1 -3			HSS104A	DIODE		
D1 -3			1SS133	DIODE		
IC1			HA12230NT	ANALOGUE IC		
Q1 -4			RK7002	FET		
Q5			DTC124EUA	DIGITAL TRANSISTOR		
Q5			UN5212	DIGITAL TRANSISTOR		
Q6 ,7			2SA1286-T11	TRANSISTOR		
Q8 ,9			KRC103M	DIGITAL TRANSISTOR		
Q8 ,9			UN4212	DIGITAL TRANSISTOR		
Q11 ,12			DTC124EUA	DIGITAL TRANSISTOR		
Q11 ,12			UN5212	DIGITAL TRANSISTOR		
Q13 ,14			2SC2785(F,E)	TRANSISTOR		
Q15 ,16			KTC3200	TRANSISTOR		EE1E2 E3E4E5
Q15 ,16			KTC3200	TRANSISTOR		T2T3
Q15 ,16			KTC3200	TRANSISTOR		
Q15 ,16			2SC1845(F,E)	TRANSISTOR		EE1E2 E3E4E5
Q15 ,16			2SC1845(F,E)	TRANSISTOR		T2T3
Q15 ,16			2SC1845(F,E)	TRANSISTOR		EE1E2
Q17			DTA124EUA	DIGITAL TRANSISTOR		E3E4E5
Q17			DTA124EUA	DIGITAL TRANSISTOR		
Q17			DTA124EUA	DIGITAL TRANSISTOR		T2T3
Q17			UN5112	DIGITAL TRANSISTOR		EE1E2
Q17			UN5112	DIGITAL TRANSISTOR		E3E4E5
Q17			UN5112	DIGITAL TRANSISTOR		T2T3
Q18			DTC124EUA	DIGITAL TRANSISTOR		EE1E2
Q18			DTC124EUA	DIGITAL TRANSISTOR		E3E4E5
Q18			DTC124EUA	DIGITAL TRANSISTOR		T2T3
Q18			UN5212	DIGITAL TRANSISTOR		EE1E2
Q18			UN5212	DIGITAL TRANSISTOR		E3E4E5
Q18			UN5212	DIGITAL TRANSISTOR		T2T3
Q19			KTC3205	TRANSISTOR		
Q19			2SC3940A(R,S)	TRANSISTOR		
CONTROL (X29-2840-11)						
C1 ,2			CK45FB1H471K	CERAMIC	470PF	K

L: Scandinavia K: USA P: Canada R: Mexico C: China I: Malaysia
 Y: PX(Far East,Hawaii) T: England E: Europe G: Germany V: China(Shanghai)
 Y: AAFES(Europe) X: Australia Q: Russia H: Korea M: Other Areas Δ indicates safety critical components.

PARTS LIST

RXD-M55-H/M55-N/M55-S/M55E-H/M55E-N/M55E-S

* New Parts

Parts without **Parts No.** are not supplied.Les articles non mentionnés dans le **Parts No.** ne sont pas fournis.Teile ohne **Parts No.** werden nicht geliefert.

9

Ref. No	Add-ress	New Parts	Parts No.	Description	Desti-nation	Re-marks
C3 ,4			CE04KW1H010M	ELECTRO		
C5 -8			CQ93FMG1H104J	MYLAR		
C9 ,10			CE04KW1H220M	ELECTRO		
C11 ,12			CK73GB1H471K	CHIP C		
C15 ,16			CC73GCH1H220J	CHIP C		
C17 ,18			CK45FF1H472Z	CERAMIC		
C19 ,20			CK45FF1H103Z	CERAMIC		
C21			CE04KW1A101M	ELECTRO		
C22			CE04KW1H4R7M	ELECTRO		
C23 ,24			CK45FB1H471K	CERAMIC		
C25			CE04LW1E222M	ELECTRO		
C25			CE04LW1E222M	ELECTRO		
C25			CE04LW1E222M	ELECTRO		
C25			CE04LW1E222M	ELECTRO		
C25			CE04LW1E222M	ELECTRO		
C25			CE04LW1E332M	ELECTRO		
C26 ,27		*	C90-5756-05	ELECTRO		
C30			CE04KW1E470M	ELECTRO		
C31			CK45FF1H103Z	CERAMIC		
C32			CE04KW1A470M	ELECTRO		
C33			CE04HW1H3R3M	NP-ELEC		
C34			CE04KW1J470M	ELECTRO		
C35 ,36			CE04KW1H220M	ELECTRO		
C50			CE04KW1A470M	ELECTRO		
C51 ,52			CK45FF1H103Z	CERAMIC		
C53			CE04KW1A221M	ELECTRO		
C54			CE04KW1E470M	ELECTRO		
C55			CC45FSL1H470J	CERAMIC		
C56			CK45FF1H103Z	CERAMIC		
C101,102			CC45FSL1H221J	CERAMIC		
C103,104			CE04KW1H220M	ELECTRO		
C105,106			CK73GB1H103K	CHIP C		
C109,110			CC45FSL1H151J	CERAMIC		
C111,112			CC45FSL1H221J	CERAMIC		
C113			CE04KW1H470M	ELECTRO		
C114			CE04KW1H101M	ELECTRO		
C115,116			CC45FSL1H151J	CERAMIC		
C117,118			CC45FSL1H221J	CERAMIC		
C121			CC45FSL1H101J	CERAMIC		
C122			CK45FB1H222K	CERAMIC		
C123			CC73GCH1H101J	CHIP C		
C202			CC73GCH1H681J	CHIP C		
C203			CE04RW1A101M	ELECTRO		
C204			CC73GCH1H080D	CHIP C		
C205,206			CE04KW1A101M	ELECTRO		
C211,212			CK73GB1C104K	CHIP C		
C213			CC73GCH1H221J	CHIP C		
C214			CK73GB1H471K	CHIP C		
C215			CC73GCH1H821J	CHIP C		
C221			CE04RW1A101M	ELECTRO		
C222,223			CK73GB1C104K	CHIP C		
C224			CK73GB1C473K	CHIP C		
C225			CC73GCH1H030C	CHIP C		
C227			CK73GB1A224K	CHIP C		
C228			CK73GB1C393K	CHIP C		

L : Scandinavia K : USA P : Canada R : Mexico C : China I : Malaysia
 Y : PX(Far East,Hawaii) T : England E : Europe G : Germany V : China(Shanghai)
 Y : AAFES(Europe) X : Australia Q : Russia H : Korea M : Other Areas Δ indicates safety critical components .

* New Parts

Parts without **Parts No.** are not supplied.Les articles non mentionnés dans le **Parts No.** ne sont pas fournis.Teile ohne **Parts No.** werden nicht geliefert.

10

Ref. No	Add-ress	New Parts	Parts No.	Description	Desti-nation	Re-marks
C229			CK73GB1H472K	CHIP C		
C230,231			CK73GB1H102K	CHIP C		
C232,233			CK73GB1H223K	CHIP C		
C234			CK73GB1C104K	CHIP C		
C235			CK73GB1H122K	CHIP C		
C236			CC73GCH1H221J	CHIP C		
C238,239			CK73GB1C104K	CHIP C		
C240			CE04RW1A101M	ELECTRO		
C241		*	CE04RW1HR33M	ELECTRO		
C242,243			CC73GCH1H150J	CHIP C		
C244			CK73GB1H102K	CHIP C		
C245			CE04RW0J470M	ELECTRO		
C246			CK73GB0J105K	CHIP C		
C247			CK73GB1C104K	CHIP C		
C248			CC73GCH1H470J	CHIP C		
C249			CK73GB1H392K	CHIP C		
C250			CK73GB1H822K	CHIP C		
C251			CK73GB1H222K	CHIP C		
C252			CK73GB1H223K	CHIP C		
C253			CK73GB1H332K	CHIP C		
C254			CC45FSL1H101J	CERAMIC		
C255			CK73GB1H223K	CHIP C		
C256			CC73GCH1H330J	CHIP C		
C257,258			CC73GCH1H221J	CHIP C		
C260			CC73GCH1H680J	CHIP C		
C261,262			CC73GCH1H120J	CHIP C		
C263,264			CC73GCH1H150J	CHIP C		
C269			CE04LW1H100M	ELECTRO		
C271,272			CE04RW1H2R2M	ELECTRO		
C273,274			CC73GCH1H050C	CHIP C		
C275,276			CQ93FMG1H472J	MYLAR		
C277,278			CK73GB1H152K	CHIP C		
C279,280			CC73GCH1H101J	CHIP C		
C281,282			CK73GB1H122K	CHIP C		
C283,284			CC73GCH1H470J	CHIP C		
C285,286			CE04RW1A101M	ELECTRO		
C290			CC73GCH1H270J	CHIP C		
C291			CE04RW1A101M	ELECTRO		
C299			CE04EW1C471M	ELECTRO		
C501			CE04LW1H2R2M	ELECTRO		
C502			CK45FF1H103Z	CERAMIC		
C601,602			CE04LW1H2R2M	ELECTRO		
C603,604			CE04LW1H010M	ELECTRO		
C605-608			CK73GB1A154K	CHIP C		
C610			CC73GCH1H221J	CHIP C		
C611-614			CK73GB1A154K	CHIP C		
C615,616			CK73GB1H272K	CHIP C		
C617-626			CE04LW1H010M	ELECTRO		
C627			CC73GCH1H221J	CHIP C		
C628			CE04KW1A101M	ELECTRO		
C631			CC73GCH1H050C	CHIP C		
C632			CE04KW1A101M	ELECTRO		
C634			CC73GCH1H050C	CHIP C		
C635,636			CC73GCH1H221J	CHIP C		
C650			CC73GCH1H101J	CHIP C		

L : Scandinavia K : USA P : Canada R : Mexico C : China I : Malaysia
 Y : PX(Far East,Hawaii) T : England E : Europe G : Germany V : China(Shanghai)
 Y : AAFES(Europe) X : Australia Q : Russia H : Korea M : Other Areas Δ indicates safety critical components .

PARTS LIST

RXD-M55-H/M55-N/M55-S/M55E-H/M55E-N/M55E-S

* New Parts

Parts without **Parts No.** are not supplied.
Les articles non mentionnés dans le **Parts No.** ne sont pas fournis.
Teile ohne **Parts No.** werden nicht geliefert.

11

Ref. No	Address	New Parts	Parts No.	Description	Value	Desti-nation	Re-marks
C663			CE04LW1A101M	ELECTRO	100UF	10WV	
C664			CC73GCH1H470J	CHIP C	47PF	J	
C665,666			CC73GCH1H100D	CHIP C	10PF	D	
C667			CC45FSL1H121J	CERAMIC	120PF	J	
C701			CE04LW1H010M	ELECTRO	1.0UF	50WV	
C702			CK45FF1H103Z	CERAMIC	0.010UF	Z	
C704			CE04LW1H2R2M	ELECTRO	2.2UF	50WV	
C705,706			CC73GCH1H180J	CHIP C	18PF	J	
C707			CE04KW1A101M	ELECTRO	100UF	10WV	
C708			CK45FB1H102K	CERAMIC	1000PF	K	
C709-712			CK45FF1H103Z	CERAMIC	0.010UF	Z	
C713			CC45FSL1H101J	CERAMIC	100PF	J	
C714			CK45FF1H103Z	CERAMIC	0.010UF	Z	
C715-717			CC45FSL1H101J	CERAMIC	100PF	J	
C718			CK45FF1H103Z	CERAMIC	0.010UF	Z	
C719			CK73GB0J105K	CHIP C	1.0UF	K	
C720			CK45FF1H103Z	CERAMIC	0.010UF	Z	M1M2V
C721			CK73GB1H103K	CHIP C	0.010UF	K	
C733			CC45FSL1H560J	CERAMIC	56PF	J	
C743			CK45FF1H103Z	CERAMIC	0.010UF	Z	
C801			CE04LW1H2R2M	ELECTRO	2.2UF	50WV	EE1E2
C801			CE04LW1H2R2M	ELECTRO	2.2UF	50WV	E3E4E5
C801			CE04LW1H2R2M	ELECTRO	2.2UF	50WV	H2
C801			CE04LW1H2R2M	ELECTRO	2.2UF	50WV	T2T3H1
C802,803			CC73GCH1H271J	CHIP C	270PF	J	EE1E2
C802,803			CC73GCH1H271J	CHIP C	270PF	J	E3E4E5
C802,803			CC73GCH1H271J	CHIP C	270PF	J	H2
C804			CC73GCH1H561J	CHIP C	560PF	J	T2T3H1
C804			CC73GCH1H561J	CHIP C	560PF	J	EE1E2
C804			CC73GCH1H561J	CHIP C	560PF	J	E3E4E5
C804			CC73GCH1H561J	CHIP C	560PF	J	H2
C804			CC73GCH1H561J	CHIP C	560PF	J	T2T3H1
C805			CK73GB1H103K	CHIP C	0.010UF	K	EE1E2
C805			CK73GB1H103K	CHIP C	0.010UF	K	E3E4E5
C805			CK73GB1H103K	CHIP C	0.010UF	K	H2
C805			CK73GB1H103K	CHIP C	0.010UF	K	T2T3H1
C806,807			CC73GCH1H270J	CHIP C	27PF	J	EE1E2
C806,807			CC73GCH1H270J	CHIP C	27PF	J	E3E4E5
C806,807			CC73GCH1H270J	CHIP C	27PF	J	H2
C806,807			CC73GCH1H270J	CHIP C	27PF	J	T2T3H1
C808			CE04LW1A101M	ELECTRO	100UF	10WV	EE1E2
C808			CE04LW1A101M	ELECTRO	100UF	10WV	E3E4E5
C808			CE04LW1A101M	ELECTRO	100UF	10WV	H2
C808			CE04LW1A101M	ELECTRO	100UF	10WV	T2T3H1
C901			CE04LW1H100M	ELECTRO	10UF	50WV	
CN2			E40-3258-05	PIN ASSY			
CN11			E40-4976-05	PIN ASSY			
CN21			E40-8328-15	FLAT CABLE CONNECTOR			
CN22			E40-3250-05	PIN ASSY			
CN23			E40-4976-05	PIN ASSY			
CN26			E40-8793-05	PIN ASSY			
CN71			E40-8482-05	FLAT CABLE CONNECTOR			
CN72			E40-8485-05	FLAT CABLE CONNECTOR			
CN73			E40-8479-05	FLAT CABLE CONNECTOR			
J1			E70-0053-05	LOCK TERMINAL BOARD			V

L: Scandinavia K: USA P: Canada R: Mexico C: China I: Malaysia
Y: PX(Far East,Hawaii) T: England E: Europe G: Germany V: China(Shanghai)
Y: AAFES(Europe) X: Australia Q: Russia H: Korea M: Other Areas Δ indicates safety critical components.

* New Parts

Parts without **Parts No.** are not supplied.
Les articles non mentionnés dans le **Parts No.** ne sont pas fournis.
Teile ohne **Parts No.** werden nicht geliefert.

12

Ref. No	Address	New Parts	Parts No.	Description	Value	Desti-nation	Re-marks
J1			E70-0123-05	LOCK TERMINAL BOARD			EE1E2
J1			E70-0123-05	LOCK TERMINAL BOARD			E3E4E5
J1			E70-0123-05	LOCK TERMINAL BOARD			M2H1H2
J1			E70-0123-05	LOCK TERMINAL BOARD			T2T3M1
J1			E70-0123-05	LOCK TERMINAL BOARD			X1X2
J1			E70-0155-05	LOCK TERMINAL BOARD			KK1
J2			E11-0399-05	MINIATURE PHONE JACK(7P)			
J601		*	E63-1264-05	PIN JACK			
E1 -5			J11-0809-05	WIRE CLAMPER			
L201			L40-1001-17	SMALL FIXED INDUCTOR(10UH,K)			
X221			L77-2401-05	CRYSTAL RESONATOR(16.9344MHZ)			
X701			L78-0725-05	RESONATOR (8.38MHZ)			
X702			L77-2173-05	CRYSTAL RESONATOR(32.768KHZ)			
X801			L77-2002-05	CRYSTAL RESONATOR(4.332MHZ)			EE1E2
X801			L77-2002-05	CRYSTAL RESONATOR(4.332MHZ)			E3E4E5
X801			L77-2002-05	CRYSTAL RESONATOR(4.332MHZ)			H2
X801			L77-2002-05	CRYSTAL RESONATOR(4.332MHZ)			T2T3H1
R11 ,12			RS14KB3D4R7J	FL-PROOF RS	4.7	J	2W
R13 ,14			RK73GB1J102J	CHIP R	1.0K	J	1/16W
R15 ,16			RK73GB1J333J	CHIP R	33K	J	1/16W
R17 ,18			RK73GB1J122J	CHIP R	1.2K	J	1/16W
R23			RK73GB1J103J	CHIP R	10K	J	1/16W
R33 ,34			RS14KB3D391J	FL-PROOF RS	390	J	2W
R48			RK73GB1J100J	CHIP R	10	J	1/16W
R49			RK73GB1J4R7J	CHIP R	4.7	J	1/16W
R51			RS14KB3A821J	FL-PROOF RS	820	J	1W
R111-114			RS14KB3DR22J	FL-PROOF RS	0.22	J	2W
R115-120			RK73GB1J271J	CHIP R	270	J	1/16W
R121-124			RK73GB1J470J	CHIP R	47	J	1/16W
R129,130			RK73GB1J220J	CHIP R	22	J	1/16W
R131,132			RK73GB1J240J	CHIP R	24	J	1/16W
R133			RS14KB3D151J	FL-PROOF RS	150	J	2W
R201			RK73GB1J272J	CHIP R	2.7K	J	1/16W
R202-205			RK73GB1J1R0J	CHIP R	1	J	1/16W
R206			RK73GB1J272J	CHIP R	2.7K	J	1/16W
R211			RK73GB1J334J	CHIP R	330K	J	1/16W
R212			RK73GB1J104J	CHIP R	100K	J	1/16W
R213			RK73GB1J102J	CHIP R	1.0K	J	1/16W
R214			RK73GB1J101J	CHIP R	100	J	1/16W
R215			RK73GB1J303J	CHIP R	30K	J	1/16W
R216			RK73GB1J393J	CHIP R	39K	J	1/16W
R218			RK73GB1J393J	CHIP R	39K	J	1/16W
R221			RK73GB1J100J	CHIP R	10	J	1/16W
R222			RK73GB1J433J	CHIP R	43K	J	1/16W
R223,224			RK73GB1J362J	CHIP R	3.6K	J	1/16W
R225,226			RK73GB1J221J	CHIP R	220	J	1/16W
R227			RK73GB1J473J	CHIP R	47K	J	1/16W
R229			RK73GB1J393J	CHIP R	39K	J	1/16W
R230			RK73GB1J2R2J	CHIP R	2.2	J	1/16W
R231			RK73GB1J334J	CHIP R	330K	J	1/16W
R232			RK73GB1J104J	CHIP R	100K	J	1/16W
R233			RK73GB1J563J	CHIP R	56K	J	1/16W
R234			RK73GB1J333J	CHIP R	33K	J	1/16W

L: Scandinavia K: USA P: Canada R: Mexico C: China I: Malaysia
Y: PX(Far East,Hawaii) T: England E: Europe G: Germany V: China(Shanghai)
Y: AAFES(Europe) X: Australia Q: Russia H: Korea M: Other Areas Δ indicates safety critical components.

PARTS LIST

RXD-M55-H/M55-N/M55-S/M55-E-H/M55-E-N/M55-E-S

* New Parts

Parts without **Parts No.** are not supplied.Les articles non mentionnés dans le **Parts No.** ne sont pas fournis.Teile ohne **Parts No.** werden nicht geliefert.

13

Ref. No	Address	New Parts	Parts No.	Description	Destination	Remarks
R235			RK73GB1J105J	CHIP R 1.0M J 1/16W		
R236			RK73GB1J331J	CHIP R 330 J 1/16W		
R237			RK73GB1J101J	CHIP R 100 J 1/16W		
R240			RK73GB1J100J	CHIP R 10 J 1/16W		
R241			RK73GB1J272J	CHIP R 2.7K J 1/16W		
R242			RK73GB1J102J	CHIP R 1.0K J 1/16W		
R243			RK73GB1J105J	CHIP R 1.0M J 1/16W		
R245,246			RK73GB1J4R7J	CHIP R 4.7 J 1/16W		
R247			RK73GB1J220J	CHIP R 22 J 1/16W		
R248			RK73GB1J103J	CHIP R 10K J 1/16W		
R249			RK73GB1J104J	CHIP R 100K J 1/16W		
R250			RK73GB1J124J	CHIP R 120K J 1/16W		
R251			RK73GB1J183J	CHIP R 18K J 1/16W		
R252			RK73GB1J102J	CHIP R 1.0K J 1/16W		
R253			RK73GB1J474J	CHIP R 470K J 1/16W		
R254			RK73GB1J124J	CHIP R 120K J 1/16W		
R255			RK73GB1J682J	CHIP R 6.8K J 1/16W		
R256			RK73GB1J274J	CHIP R 270K J 1/16W		
R257			RK73GB1J103J	CHIP R 10K J 1/16W		
R258			RK73GB1J104J	CHIP R 100K J 1/16W		
R259			RK73GB1J563J	CHIP R 56K J 1/16W		
R260			RK73GB1J154J	CHIP R 150K J 1/16W		
R261			RK73GB1J102J	CHIP R 1.0K J 1/16W		
R263			RK73GB1J102J	CHIP R 1.0K J 1/16W		
R264-267			RK73GB1J101J	CHIP R 100 J 1/16W		
R269			RK73GB1J512J	CHIP R 5.1K J 1/16W		
R270			RK73GB1J392J	CHIP R 3.9K J 1/16W		
R271,272			RK73GB1J222J	CHIP R 2.2K J 1/16W		
R273,274			RK73GB1J104J	CHIP R 100K J 1/16W		
R275-277			RK73GB1J222J	CHIP R 2.2K J 1/16W		
R280			RK73GB1J182J	CHIP R 1.8K J 1/16W		
R281,282			RK73GB1J470J	CHIP R 47 J 1/16W		
R285,286			RK73GB1J103J	CHIP R 10K J 1/16W		
R291			RS14KB3A4R7J	FL-PROOF RS 4.7 J 1W		
R299			RS14KB3D2R2J	FL-PROOF RS 2.2 J 2W		
R501			RD14NB2E152J	RD 1.5K J 1/4W	M1M2	
R502			RD14NB2E222J	RD 2.2K J 1/4W	M1M2	
R503			RK73GB1J102J	CHIP R 1.0K J 1/16W	M1M2	
R504			RK73GB1J103J	CHIP R 10K J 1/16W	M1M2	
R603-605			RK73GB1J102J	CHIP R 1.0K J 1/16W		
R606-609			RK73GB1J752J	CHIP R 7.5K J 1/16W		
R610,611			RK73GB1J103J	CHIP R 10K J 1/16W		
R612,613			RK73GB1J163J	CHIP R 16K J 1/16W		
R631			RK73GB1J4R7J	CHIP R 4.7 J 1/16W		
R702			RK73GB1J104J	CHIP R 100K J 1/16W		
R703			RK73GB1J103J	CHIP R 10K J 1/16W		
R706			RK73GB1J102J	CHIP R 1.0K J 1/16W		
R708			RK73GB1J104J	CHIP R 100K J 1/16W		
R711			RK73GB1J101J	CHIP R 100 J 1/16W		
R712			RK73GB1J512J	CHIP R 5.1K J 1/16W		
R713-715			RK73GB1J101J	CHIP R 100 J 1/16W		
R717-719			RK73GB1J101J	CHIP R 100 J 1/16W		
R720-722			RK73GB1J332J	CHIP R 3.3K J 1/16W		
R723			RK73GB1J472J	CHIP R 4.7K J 1/16W		
R724			RK73GB1J103J	CHIP R 10K J 1/16W		

L : Scandinavia

K : USA

P : Canada

R : Mexico

C : China

I : Malaysia

Y : PX(Far East,Hawaii)

T : England

E : Europe

G : Germany

V : China(Shanghai)

Y : AAFES(Europe)

X : Australia

Q : Russia

H : Korea

M : Other Areas

⚠ indicates safety critical components.

* New Parts

Parts without **Parts No.** are not supplied.Les articles non mentionnés dans le **Parts No.** ne sont pas fournis.Teile ohne **Parts No.** werden nicht geliefert.

14

Ref. No	Address	New Parts	Parts No.	Description	Destination	Remarks
R725-728			RK73GB1J472J	CHIP R 4.7K J 1/16W		
R729,730			RK73GB1J101J	CHIP R 100 J 1/16W		
R733			RK73GB1J101J	CHIP R 100 J 1/16W		
R735,736			RK73GB1J101J	CHIP R 100 J 1/16W		
R738			RK73GB1J101J	CHIP R 100 J 1/16W		
R739			RK73GB1J101J	CHIP R 100 J 1/16W	V	
R739			RK73GB1J103J	CHIP R 10K J 1/16W	M1M2	
R740			RK73GB1J104J	CHIP R 100K J 1/16W		
R742			RK73GB1J104J	CHIP R 100K J 1/16W		
R743			RK73GB1J101J	CHIP R 100 J 1/16W		
R744			RK73GB1J102J	CHIP R 1.0K J 1/16W		
R745			RK73GB1J104J	CHIP R 100K J 1/16W		
R746,747			RK73GB1J102J	CHIP R 1.0K J 1/16W		
R748			RK73GB1J332J	CHIP R 3.3K J 1/16W		
R748			RK73GB1J473J	CHIP R 47K J 1/16W		
R750			RK73GB1J332J	CHIP R 3.3K J 1/16W		
R751			RK73GB1J104J	CHIP R 100K J 1/16W		
R752			RK73GB1J101J	CHIP R 100 J 1/16W		
R753			RK73GB1J104J	CHIP R 100K J 1/16W		
R754			RK73GB1J332J	CHIP R 3.3K J 1/16W		
R755			RK73GB1J104J	CHIP R 100K J 1/16W		
R757			RK73GB1J101J	CHIP R 100 J 1/16W		
R759			RK73GB1J332J	CHIP R 3.3K J 1/16W		
R760			RK73GB1J473J	CHIP R 47K J 1/16W		
R761			RK73GB1J101J	CHIP R 100 J 1/16W		
R762			RK73GB1J102J	CHIP R 1.0K J 1/16W		
R764			RK73GB1J473J	CHIP R 47K J 1/16W		
R765-768			RK73GB1J101J	CHIP R 100 J 1/16W		
R770			RK73GB1J222J	CHIP R 2.2K J 1/16W		
R773			RK73GB1J101J	CHIP R 100 J 1/16W		
R776			RK73GB1J101J	CHIP R 100 J 1/16W		
R777			RK73GB1J102J	CHIP R 1.0K J 1/16W		
R778			RK73GB1J104J	CHIP R 100K J 1/16W		
R779			RK73GB1J101J	CHIP R 100 J 1/16W		
R780			RK73GB1J102J	CHIP R 1.0K J 1/16W		
R781,782			RK73GB1J104J	CHIP R 100K J 1/16W		
R784			RK73GB1J104J	CHIP R 100K J 1/16W		
R789			RK73GB1J512J	CHIP R 5.1K J 1/16W		
R790,791			RK73GB1J101J	CHIP R 100 J 1/16W		
R792			RK73GB1J103J	CHIP R 10K J 1/16W		
R793			RK73GB1J332J	CHIP R 3.3K J 1/16W		
R801			RK73GB1J473J	CHIP R 47K J 1/16W	EE1E2	
R801			RK73GB1J473J	CHIP R 47K J 1/16W	E3E4E5	
R801			RK73GB1J473J	CHIP R 47K J 1/16W	H2	
R801			RK73GB1J473J	CHIP R 47K J 1/16W	T2T3H1	
R802			RK73GB1J101J	CHIP R 100 J 1/16W	EE1E2	
R802			RK73GB1J101J	CHIP R 100 J 1/16W	E3E4E5	
R802			RK73GB1J101J	CHIP R 100 J 1/16W	H2	
R802			RK73GB1J101J	CHIP R 100 J 1/16W	T2T3H1	
R804			RK73GB1J1R0J	CHIP R 1 J 1/16W	EE1E2	
R804			RK73GB1J1R0J	CHIP R 1 J 1/16W	E3E4E5	
R804			RK73GB1J1R0J	CHIP R 1 J 1/16W	H2	
R804			RK73GB1J1R0J	CHIP R 1 J 1/16W	T2T3H1	
R901,902			RK73GB1J473J	CHIP R 47K J 1/16W		
VR1 .2			R32-0038-05	SEMI FIXED VARIABLE RESISTOR		

L : Scandinavia

K : USA

P : Canada

R : Mexico

C : China

I : Malaysia

Y : PX(Far East,Hawaii)

T : England

E : Europe

G : Germany

V : China(Shanghai)

Y : AAFES(Europe)

X : Australia

Q : Russia

H : Korea

M : Other Areas

⚠ indicates safety critical components.

PARTS LIST

RXD-M55-H/M55-N/M55-S/M55E-H/M55E-N/M55E-S

* New Parts
Parts without **Parts No.** are not supplied.
Les articles non mentionnés dans le **Parts No.** ne sont pas fournis.
Teile ohne **Parts No.** werden nicht geliefert.

15

Ref. No	Address	New Parts	Parts No.	Description	Destination	Remarks
W252,253 W258,259			R92-1252-05 R92-1252-05	CHIP R 0 OHM J 1/16W CHIP R 0 OHM J 1/16W		
K1			S76-0098-05	MAGNETIC RELAY		
D1			HSS104A	DIODE		
D1			1SS133	DIODE		
D2			HZS5.1N(B)	ZENER DIODE		
D2			MTZJ5.1(B)	ZENER DIODE		
D2			RD5.1ES(B)	ZENER DIODE		
△ D3			TS4B03G-B1	DIODE		
△ D4			D2SBA20F03	DIODE		
D5			MTZJ4.3(B)	ZENER DIODE		
D7			HSS104A	DIODE		
D7			1SS133	DIODE		
D10.11 D10.11			HSS104A	DIODE	M1M2	
D12.13			1SS133	DIODE	M1M2	
D14			1T2	DIODE		
D15			MTZJ13(B)	ZENER DIODE		
D15			MTZJ16(B)	ZENER DIODE		
D16			HSS104A	DIODE		
D16			1SS133	DIODE		
D50			HZS5.6N(B)	ZENER DIODE		
D50			MTZJ5.6(B)	ZENER DIODE		
D50			RD5.6ES(B)	ZENER DIODE		
D101-106 D101-106			HSS104A	DIODE		
D201			1SS133	DIODE		
D201			HSS104A	DIODE		
D201			1SS133	DIODE		
D501			HSS104A	DIODE	M1M2	
D501			1SS133	DIODE		
D701			HSS104A	DIODE	M1M2	
D701			1SS133	DIODE		
D702			1SS402	DIODE		
D704-707			HSS104A	DIODE		
D704-707			1SS133	DIODE		
IC21			AN8399SA-E1	ANALOGUE IC		
IC22			MN6627482WB	MOS-IC		
IC23			AN4801SB-E1	ANALOGUE IC		
IC24			NJM4565M	ANALOGUE IC		
△ IC25			KIA7805API	ANALOGUE IC		
△ IC26			TA8409S	MOS-IC		
IC101			KIA7805API	ANALOGUE IC		
IC501		*	S-80840CNY	ANALOGUE IC	M1M2	
IC601			LC75343M	ANALOGUE IC		
IC701		*	MN101C51FGB	MI-COM IC		
IC702		*	S-80840CNY	ANALOGUE IC		
IC801			BU1923F	ANALOGUE IC	EE1E2	
IC801			BU1923F	ANALOGUE IC	E3E4E5	
IC801			BU1923F	ANALOGUE IC	H2	
IC801			BU1923F	ANALOGUE IC	T2T3H1	
IC801			BU1923F	ANALOGUE IC		
IC901			BR24C02F-W	MEMORY IC		
Q1.2			2SC2878(B)	TRANSISTOR		
Q5			KTA1267(Y,GR)	TRANSISTOR		
△ Q10			KTC3199(Y,GR)	TRANSISTOR		

L: Scandinavia K: USA P: Canada R: Mexico C: China I: Malaysia
Y: PX(Far East,Hawaii) T: England E: Europe G: Germany V: China(Shanghai)
Y: AAFES(Europe) X: Australia Q: Russia H: Korea M: Other Areas △ indicates safety critical components.

* New Parts
Parts without **Parts No.** are not supplied.
Les articles non mentionnés dans le **Parts No.** ne sont pas fournis.
Teile ohne **Parts No.** werden nicht geliefert.

16

Ref. No	Address	New Parts	Parts No.	Description	Destination	Remarks
△ Q12			KTA1267(Y,GR)	TRANSISTOR		
Q13			KTA1268	TRANSISTOR		
Q14			DTC113ZSA	DIGITAL TRANSISTOR		
Q51			2SC1845(F,E)	TRANSISTOR		
Q52			UMH5N	TRANSISTOR		
Q101,102		*	UMT2N	DUAL TRANSISTOR		
Q103,104		*	IMX8	DUAL TRANSISTOR		
Q105		*	IMT4	DUAL TRANSISTOR		
Q106		*	IMX8	DUAL TRANSISTOR		
Q107		*	UMX2N	DUAL TRANSISTOR		
Q109,110		*	2SD2227S	TRANSISTOR		
Q111,112		*	2SB1685*5	TRANSISTOR		
△ Q113,114		*	2SD2641*5	TRANSISTOR		
Q201			2SA1577(Q,R)	TRANSISTOR		
Q203			DTA124EUA	DIGITAL TRANSISTOR		
Q701			2SC4081(R,S)	TRANSISTOR		
Q702			UN5219	DIGITAL TRANSISTOR		
A601			W02-1114-15	OSCILLATING MODULE		

L: Scandinavia K: USA P: Canada R: Mexico C: China I: Malaysia
Y: PX(Far East,Hawaii) T: England E: Europe G: Germany V: China(Shanghai)
Y: AAFES(Europe) X: Australia Q: Russia H: Korea M: Other Areas △ indicates safety critical components.

HOW TO READ THE PARTS LIST
ABBREVIATION OF MODEL AND MASS PRODUCTION'S DESTINATIONS

MODEL	ABB.	Australia	Canada	China	England	Europe	Germany	Korea	Malaysia
RXD-M55E-H	H	-	-	-	-	E4	-	-	-
RXD-M55E-N	N	-	-	-	-	E5	-	-	-
RXD-M55E-S	S	-	-	-	-	E3	-	-	-
RXD-M55-H	H	-	-	-	T2	E1	-	H1	-
RXD-M55-N	N	X2	-	-	T3	E2	-	H2	-
RXD-M55-S	S	X1	-	-	-	E	-	-	-
MODEL	ABB.	Mexico	PX/AAFES	Russia	Scandinavia	Shanghai	USA	Other area	
RXD-M55E-H	H	-	-	-	-	-	-	-	
RXD-M55E-N	N	-	-	-	-	-	-	-	
RXD-M55E-S	S	-	-	-	-	-	-	-	
RXD-M55-H	H	-	-	-	-	-	K1	M1	
RXD-M55-N	N	-	-	-	-	-	-	M2	
RXD-M55-S	S	-	-	-	-	V	K	-	

PARTS LIST

RXD-M55-H/M55-N/M55-S/M55E-H/M55E-N/M55E-S

RXD-M55-H/M55-N/M55-S/M55E-H/M55E-N/M55E-S

SPECIFICATIONS

Main unit

[Amplifier section]

(For U.S.A. and Canada)

Rated output power during STEREO operation (FTC)

43 watts per channel minimum RMS, both channels driven, at 6 Ω from 90 Hz to 15 kHz with no more than 10 % total harmonic distortion.

(For U.K. and Europe)

Effective output power during STEREO operation

(1 kHz, 10% T.H.D., at 6 Ω) 50 W + 50 W

Rated output power during STEREO operation

(1 kHz, 0.7% T.H.D., at 6 Ω) 37 W + 37 W

(For other countries)

Rated output power during STEREO operation

(1 kHz, 10% T.H.D., at 6 Ω) 50 W + 50 W

Frequency response

AUX 30 Hz~100 kHz (0 dB ~ -3dB)

[Tuner section]

FM tuner section

Tuning frequency range 87.5 MHz ~ 108 MHz

MW (AM) tuner section

(For U.S.A. and Canada)

Tuning frequency range 530 kHz ~ 1,700 kHz

(For U.K. and Europe)

Tuning frequency range 531 kHz ~ 1,602 kHz

(For Australia)

Tuning frequency range 531 kHz ~ 1,602 kHz



KENWOOD follows a policy of continuous advancements in development. For this reason specifications may be changed without notice.

- Sufficient performance may not be exhibited at extremely cold locations (where water freezes).

(For other countries)

Tuning frequency range

9 kHz step 531 kHz ~ 1,602 kHz

10 kHz step 530 kHz ~ 1,610 kHz

[CD player section]

Laser Semiconductor laser

Over sampling 8 fs (352.8 Hz)

Laser wave length 760 - 800 nm

Laser power class Class 3A (IEC)

D/A Conversion 1 Bit

[Cassette deck section]

Track 4-track, 2-channel stereo

Recording system AC bias system

(Frequency: 105 kHz)

Heads

Playback/ recording head 1

Erasing head 1

Wow and flutter 0.2 % (W.R.M.S.)

Fast winding time Approx. 100 seconds

(C-60 tape)

[General]

Power consumption 120 W

Dimensions W : 180 mm (7-1/16")

H : 255 mm (8-7/16")

D: 335 mm (13-3/16")

Weight (net) 5.3 kg (11.7 lb)

KENWOOD CORPORATION

14-6, Dogenzaka 1-chome, Shibuya-ku, Tokyo, 150-8501 Japan

KENWOOD SERVICE CORPORATION

P.O. BOX 22745, 2201 East Dominguez St., Long Beach, CA 90801-5745, U.S.A.

KENWOOD ELECTRONICS CANADA INC.

6070 Kestrel Road, Mississauga, Ontario, Canada L5T 1S8

KENWOOD ELECTRONICS LATIN AMERICA S.A.

P.O. BOX 55-2791, Piso 6 plaza Chase, Cl. 47 y Aquilino de la Guardia Panama, Republic de Panama

KENWOOD ELECTRONICS BRASIL LTDA.

Alameda Ministro Rocha Azevedo No. 456, Edifício Jaú, 10o Andar, Cerqueira César, Cep 0140-001, São Paulo-SP-Brasil

KENWOOD ELECTRONICS U.K. LIMITED

KENWOOD House, Dwight Road, Watford, Herts., WD1 8EB., United Kingdom

KENWOOD ELECTRONICS BELGIUM N.V.

Leuvensesteenweg 248 J, 1800 Vilvoorde, Belgium

KENWOOD ELECTRONICS DEUTSCHLAND GMBH

Rembrücker Str. 15, 63150 Heusenstamm, Germany

KENWOOD ELECTRONICS FRANCE S.A.

13 Boulevard Ney, 75018 Paris, France

KENWOOD ELECTRONICS ITALIA S.p.A.

Via G. Sirtori, 7/9 20129, Milano, Italy

KENWOOD IBÉRICA S.A.

Bolivia, 239-08020 Barcelona, Spain

KENWOOD ELECTRONICS AUSTRALIA PTY. LTD.

(A.C.N. 001 499 074)
16 Giffnock Avenue, North Ryde, N.S.W. 2113, Australia

KENWOOD ELECTRONICS (HONG KONG) LTD.

Unit 3712-3724, Level 37, Tower 1, Metroplaza, 223 Hing Fong Road, Kwai Fong N.T., Hong Kong

KENWOOD ELECTRONICS GULF FZE

P.O.Box 61318, Jebel Ali, Dubai, U.A.E.

KENWOOD ELECTRONICS SINGAPORE PTE LTD.

No. 1 Genting Lane #02-02, KENWOOD Building, Singapore, 349544

KENWOOD ELECTRONICS (MALAYSIA) SDN BHD.

#4.01 Level 4, Wisma Academy Lot 4A, Jalan 19/1 46300 Petaling Jaya Selangor Darul Ehsan Malaysia

KENWOOD ELECTRONICS (THAILAND) CO., LTD.

2019 New Pechburi Road, Bangkapi, Huaykwang, Bangkok, 10320 Thailand